

PSVT-60W-24V-UNV-010

0-10V DIMMABLE LED DRIVER CLASS 2

Project _____
Location _____
Quote/ Ref # _____

The **PSVT SERIES** indoor/outdoor drivers are 0-10V dimming drivers with an integrated UL listed junction box. These efficient, low-voltage power supplies are UL listed, making them safe and inspection ready. The wet/dry housings are IP66 rated designed to fit most installations.

SPECIFICATIONS

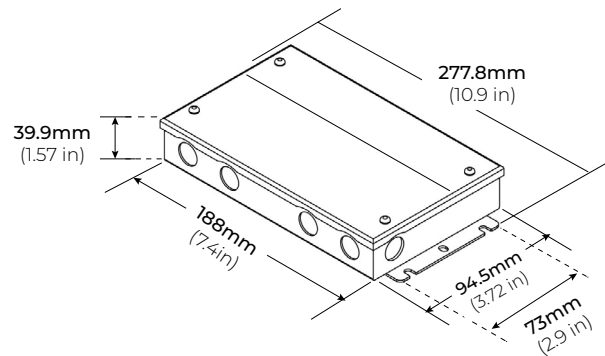
| | |
|------------------------|---|
| CLASS 2 | Yes |
| VOLTAGE RANGE | 100-277V AC |
| FREQUENCY RANGE | 47-63 Hz |
| POWER FACTOR | 0.99 (120V) 0.95 (230V) 0.94 (277V) |
| THD (TYPE) @ FULL LOAD | <15% (120V) <20% (230V) <20% (277V) |
| EFFICIENCY | 85% (120V) 88% (230V) 86% (277V) |
| AC CURRENT (MAX) | 0.5A (100V AC) |
| INRUSH CURRENT (TYP) | 14A, 50% , 780us@120V 50A, 50% , 176us@230V 15A, 50% , 660us@277V |
| LEAKAGE CURRENT | <0.50mA |
| DC VOLTAGE | 24V DC |
| RATING CURRENT | 2.5A |
| RATED POWER | 60W |
| VOLTAGE TOLERANCE | ±0.5V |
| VOLTAGE REGULATION | ±0.5% |
| LOAD REGULATION | ±1.0% |
| CONSTRUCTION | Indoor/ Outdoor NEMA-3 |
| OPERATING TEMPERATURE | -40°F (-40°C) ~ 140°F (60°C) |
| HUMIDITY | 20~90% RH, non-condensing |
| STORAGE TEMPERATURE | -40°F (-40°C) ~ 176°F (80°C)/ 10~95%RH |
| TEMP COEFFICIENT | 32°F (0°C)~122°F (50°C) (±0.03%/ °C) |
| CERTIFICATIONS | UL Listed |
| SAFETY STANDARDS | UL 8750, UL 1310 |
| WITHSTAND VOLTAGE | I/P-O/P : 1.88KV AC |
| EMC EMISSION | FCC Part 15 B |
| SHORT CIRCUIT | Shut down, re-power on |
| OVERLOAD | <120% Shut down o/p voltage |
| OVER TEMPERATURE | 212°F ±50°F (100°C ±10°C) shut down o/p voltage, autorecover |
| DIMENSIONS | 188 x 94.5 x 39.9mm (7.4 x 3.72 x 1.57") (LxWxH) |



FEATURES

- High power factor/ efficiency
- Short circuit and over current protection
- NEMA 3R Indoor / Outdoor Enclosure
- 100-277V AC for any residential or commercial application
- Superior PWM dimming technology
- Dimmable to 0.1%
- Factory derated
- Only 10% minimum load
- UL Listed (US and Canada)

DIMENSIONS



DIMMING CURVE

