

# PSVT-200W-24V-UNV-010

## 0-10V DIMMABLE LED DRIVER

Project \_\_\_\_\_

Location \_\_\_\_\_

Quote/ Ref # \_\_\_\_\_

The **PSVT SERIES** indoor/outdoor drivers are 0-10V dimming drivers with an integrated UL listed junction box. These efficient, low-voltage power supplies are UL listed, making them safe and inspection ready. The wet/dry housings are IP66 rated designed to fit most installations.



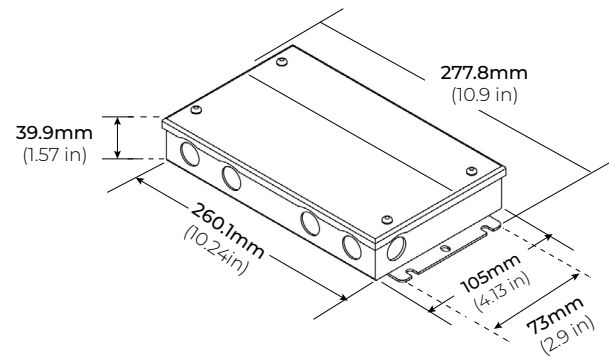
### SPECIFICATIONS

VOLTAGE RANGE	100-277V AC
FREQUENCY RANGE	47-63 Hz
POWER FACTOR	0.99 (120V)   0.97 (230V)   0.96 (277V)
THD (TYPE) @ FULL LOAD	<10% (120V)   <20% (230V)   <20% (277V)
EFFICIENCY	85% (120V)   89% (230V)   88% (277V)
AC CURRENT (MAX)	2.3A (100V AC)
INRUSH CURRENT (TYP)	15A, 50% , 1.4ms@120V 55A, 50% , 220us@230V 30A, 50% , 1.4ms@277V
LEAKAGE CURRENT	<0.50mA
DC VOLTAGE	24V DC
RATING CURRENT	8.33A
RATED POWER	200W
VOLTAGE TOLERANCE	±0.5V
VOLTAGE REGULATION	±0.5%
LOAD REGULATION	±1.0%
CONSTRUCTION	Indoor/ Outdoor NEMA-3
OPERATING TEMPERATURE	-40°F (-40°C) ~ 140°F (60°C)
HUMIDITY	20~90% RH, non-condensing
STORAGE TEMPERATURE	-40°F (-40°C) ~ 176°F (80°C)/ 10~95%RH
TEMP COEFFICIENT	32°F (0°C)~122°F (50°C) (±0.03%/ °C)
CERTIFICATIONS	UL Listed
SAFETY STANDARDS	UL 8750, UL 1310
WITHSTAND VOLTAGE	I/P-O/P : 1.88KV AC
EMC EMISSION	FCC Part 15 B
SHORT CIRCUIT	Shut down, re-power on
OVERLOAD	<120% Shut down o/p voltage
OVER TEMPERATURE	212°F ±50°F (100°C ±10°C) shut down o/p voltage, autorecover
DIMENSIONS	260.1 x 105 x 39.9mm (10.24 x 4.13 x 1.57") (LxWxH)

### FEATURES

- High power factor/ efficiency
- Short circuit and over current protection
- NEMA 3R Indoor / Outdoor Enclosure
- 100-277V AC for any residential or commercial application
- Superior PWM dimming technology
- Dimmable to 0.1%
- Factory derated
- Only 10% minimum load
- UL Listed (US and Canada)

### DIMENSIONS



### DIMMING CURVE

