

# PSRX-96W-24V-UNV

## 4-IN-1 DIMMABLE DRIVER W/ JUNCTION BOX

Project \_\_\_\_\_  
Location \_\_\_\_\_  
Quote/ Ref # \_\_\_\_\_

**PSRX SERIES** indoor/outdoor drivers are highly efficient, stable with smooth dimming capability compatible with most TRIAC, ELV, MLV, 0-10v reverse and forward phase dimmers, and on/off switches. These drivers are factory derated which allows them to be loaded to maximum wattage capacity.

### SPECIFICATIONS

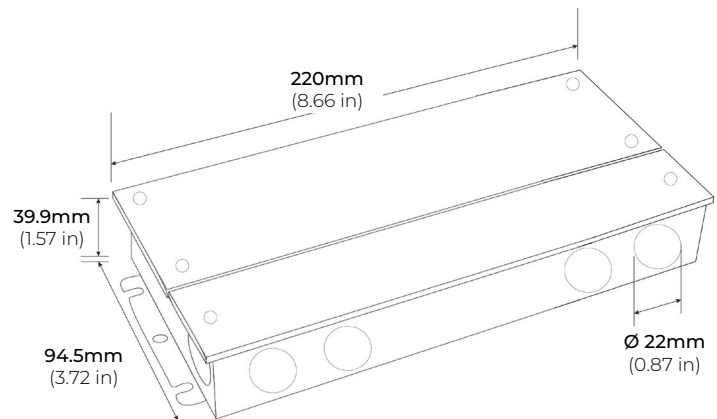
| INPUT                  |  |
|------------------------|--|
| INPUT VOLTAGE RANGE    | 100-277V AC  |
| INPUT FREQUENCY RANGE  | 47 - 63 Hz   |
| POWER FACTOR           | > 0.92   |
| POWER FACTOR (AVG.)    | ≥ 0.98 (120VAC); ≥ 0.95 (277VAC)                                     |
| EFFICIENCY             | > 83%  |
| AC CURRENT (MAX.)      | 1.3A (100V AC)   |
| INRUSH CURRENT         | 20A, 50%, 1.6ms  |
| LEAKAGE CURRENT        | < 0.5mA  |
| OUTPUT                 |  |
| OUTPUT VOLTAGE         | 24V DC   |
| OUTPUT CURRENT (MAX.)  | 4A   |
| OUTPUT WATTAGE (MAX.)  | 96W  |
| MINIMUM LOAD           | 10%  |
| MAXIMUM LOAD           | 100%   |
| LOAD REGULATION        | 2%   |
| LINE REGULATION        | 5%   |
| PROTECTION             |  |
| SHORT CIRCUIT          | Shut down o/p voltage, re-power on to recover after fault is removed |
| OVER LOADING           | ≤120% shut down o/p voltage, re-power on to recover                  |
| ENVIRONMENT            |  |
| WORKING TEMPERATURE    | -40°F (-40°C) ~ 140°F (60°C)   |
| WORKING HUMIDITY       | 20-90% RH, non-condensing  |
| STORAGE TEMPERATURE    | -40°F (-40°C) ~ 176°F (80°C)   |
| SAFETY                 |  |
| SAFETY STANDARDS       | UL 8750, UL 1310   |
| WITHSTAND VOLTAGE      | I/P-O/P: 1.88KV AC   |
| ISOLATION RESISTANCE   | I/P-OP: 100MΩ/ 500V DC/ 25°C, 70%RH                                  |
| EMC EMISSION           | FCC Part 15 B  |
| OTHER                  |  |
| WIRE TERMINAL          | Fits up to 12AWG   |
| WARRANTY               | 5-Year Limited Warranty  |
| DIMENSIONS (L x W x H) | 8.66" x 3.72" x 1.57"  |
| MTBF                   | 50,000 Hrs.  |



### FEATURES

- Class 2
- High power factor/ efficiency
- NEMA 3R Indoor/Outdoor Enclosure
- Short circuit and over current protection
- 100-277V AC for any residential or commercial application
- Superior PWM dimming technology
- Factory derated
- Only 10% minimum load
- Compatible with MLV, ELV, 0-10V and TRIAC dimmers
- Flicker-free dimming
- Outdoor Rated

### DIMENSIONS

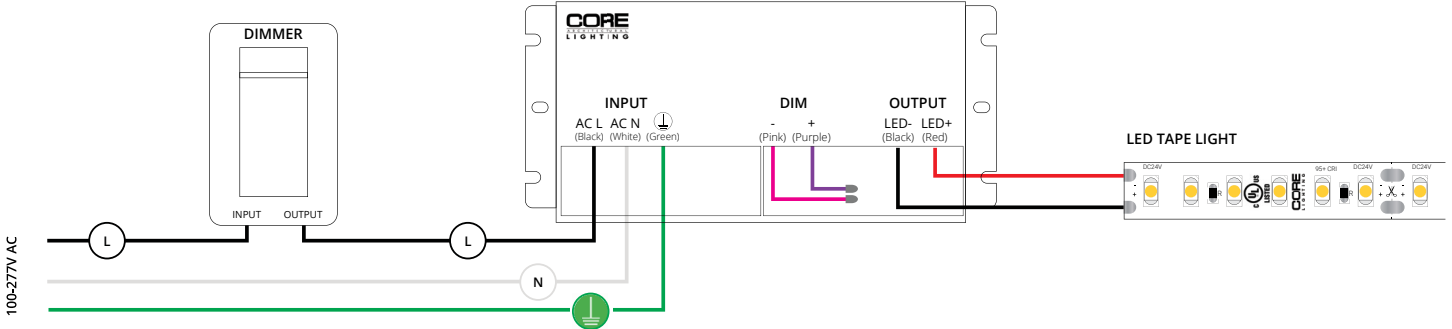


# PSRX-96W-24V-UNV

## 4-IN-1 DIMMABLE DRIVER W/ JUNCTION BOX

### WIRING DIAGRAM

#### TRIAC DIMMING



#### 0-10/ 1-10V DIMMING

