

PSRX-192W-24V-UNV-CL2

4-IN-1 DIMMABLE DRIVER W/ JUNCTION BOX

Project _____

Location _____

Quote/ Ref # _____

The **PSRX SERIES** indoor/outdoor drivers are highly efficient, stable with smooth dimming capability compatible with most TRIAC, ELV, MLV, 0-10V reverse and forward phase dimmers, and on/off switches. These drivers are derated allowing them to be loaded to maximum wattage capacity.

SPECIFICATIONS

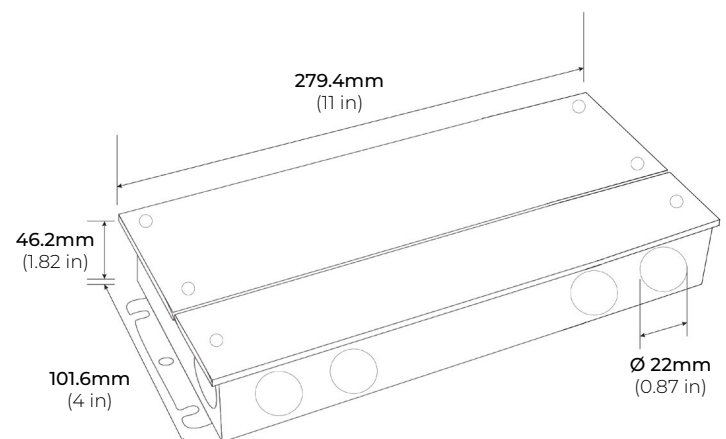
INPUT	
INPUT VOLTAGE RANGE	100-277V AC
INPUT FREQUENCY RANGE	47 - 63 Hz
POWER FACTOR (AVG.)	≥ 0.99 (120VAC); ≥ 0.94 (277VAC)
AC CURRENT (MAX.)	1.3A (100V AC)
INRUSH CURRENT	19A, 1.6ms (120VAC) 38A, 960us (277VAC)
LEAKAGE CURRENT	< 0.5mA
OUTPUT	
OUTPUT VOLTAGE	24V DC
NO. OF CHANNELS	2
OUTPUT CURRENT (MAX.)	4A per Channel
OUTPUT WATTAGE (MAX.)	192W (2 x 96W)
LOAD REGULATION	± 1%
VOLTAGE REGULATION	± 0.5V
PROTECTION	
SHORT CIRCUIT	Shut down o/p voltage, re-power on to recover after fault is removed
OVER LOADING	≤120% shut down o/p voltage, re-power on to recover
ENVIRONMENT	
WORKING TEMPERATURE	-40°F (-40°C) ~ 140°F (60°C)
WORKING HUMIDITY	20-90% RH, non-condensing
STORAGE TEMP./ HUMIDITY	-40°F (-40°C) ~ 176°F (80°C)/ 10-95% RH
SAFETY	
SAFETY STANDARDS	UL 8750, UL 1310
WITHSTAND VOLTAGE	I/P-O/P: 1.88KV AC
ISOLATION RESISTANCE	I/P-OP: 100MΩ/ 500V DC/ 25°C, 70%RH
EMC EMISSION	FCC 47 CFR Part 15, Subpart B
OTHER	
WIRE TERMINAL	Fits up to 12AWG
WARRANTY	5-Year Limited Warranty
DIMENSIONS (L x W x H)	11" x 4" x 1.82"
KNOCKOUTS	8 knockouts - 7/8 inches



FEATURES

- Class 2
- High power factor/ efficiency (up to 89%)
- NEMA 3R Indoor/Outdoor Enclosure
- 0-100% Dimming Range
- Dry or wet location
- Superior PWM dimming technology
- Factory derated
- Only 10% minimum load
- Compatible with MLV, ELV, 0-10V and TRIAC dimmers
- Free Air Convection Cooling

DIMENSIONS

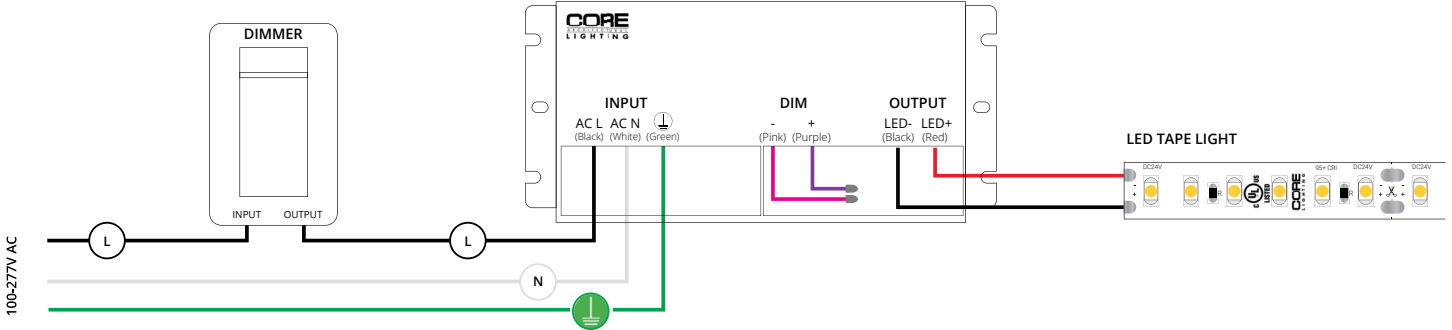


PSRX-192W-24V-UNV-CL2

4-IN-1 DIMMABLE DRIVER W/ JUNCTION BOX

WIRING DIAGRAM

TRIAC DIMMING



0-10V/ 1-10V DIMMING

