

# PSRX-150W-24V-UNV

## 4-IN-1 DIMMABLE DRIVER W/ JUNCTION BOX

Project \_\_\_\_\_  
Location \_\_\_\_\_  
Quote/ Ref # \_\_\_\_\_

**PSRX SERIES** indoor/outdoor drivers are highly efficient, stable with smooth dimming capability compatible with most TRIAC, ELV, MLV, 0-10v reverse and forward phase dimmers, and on/off switches. These drivers are factory derated which allows them to be loaded to maximum wattage capacity.



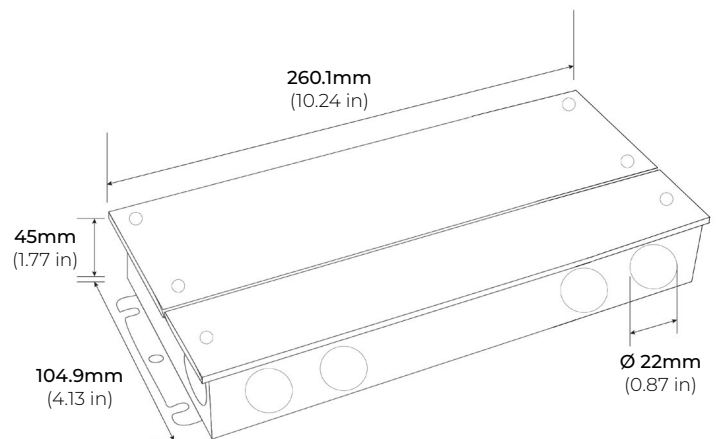
### SPECIFICATIONS

INPUT	
INPUT VOLTAGE RANGE	100-277V AC
INPUT FREQUENCY RANGE	47 - 63 Hz
POWER FACTOR	> 0.92
POWER FACTOR (AVG.)	≥ 0.99 (120VAC); ≥ 0.94 (277VAC)
EFFICIENCY	> 83%
AC CURRENT (MAX.)	1.8A (100V AC)
INRUSH CURRENT	15A, 50%, 1.4ms
LEAKAGE CURRENT	< 0.5mA
OUTPUT	
OUTPUT VOLTAGE	24V DC
OUTPUT CURRENT (MAX.)	6.25A
OUTPUT WATTAGE (MAX.)	150W
MINIMUM LOAD	10%
MAXIMUM LOAD	100%
LOAD REGULATION	2%
LINE REGULATION	5%
PROTECTION	
SHORT CIRCUIT	Shut down o/p voltage, re-power on to recover after fault is removed
OVER LOADING	≤120% shut down o/p voltage, re-power on to recover
ENVIRONMENT	
WORKING TEMPERATURE	-40°F (-40°C) ~ 140°F (60°C)
WORKING HUMIDITY	20-90% RH, non-condensing
STORAGE TEMPERATURE	-40°F (-40°C) ~ 176°F (80°C)
SAFETY	
SAFETY STANDARDS	UL 8750, UL 1310
WITHSTAND VOLTAGE	I/P-O/P: 1.88KV AC
ISOLATION RESISTANCE	I/P-OP: 100MΩ/ 500V DC/ 25°C, 70%RH
EMC EMISSION	FCC Part 15 B
OTHER	
WIRE TERMINAL	Fits up to 12AWG
WARRANTY	5-Year Limited Warranty
DIMENSIONS (L x W x H)	10.24" x 4.13" x 1.77"
MTBF	50,000 Hrs.

### FEATURES

- High power factor/efficiency
- NEMA 3R Indoor/Outdoor Enclosure
- Short circuit and over current protection
- 100~277V AC for any residential or commercial application
- Superior PWM dimming technology
- Factory derated
- Only 10% minimum load
- Compatible with MLV, ELV, 0-10V and TRIAC dimmers
- Flicker-free dimming

### DIMENSIONS

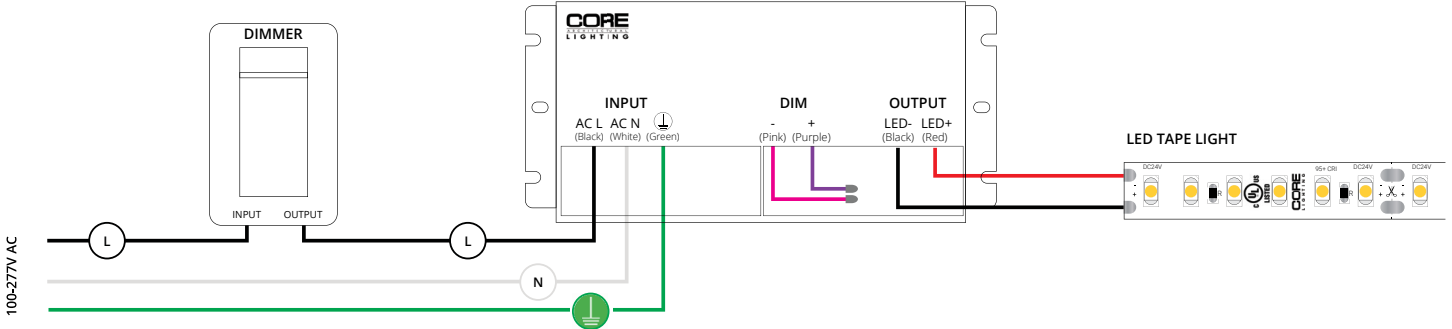


# PSRX-150W-24V-UNV

## 4-IN-1 DIMMABLE DRIVER W/ JUNCTION BOX

### WIRING DIAGRAM

#### TRIAC DIMMING



#### 0-10V/ 1-10V DIMMING

