

PSDL-60W-12V-UNV

DIMMABLE DRIVER W/ JUNCTION BOX

CORE
ARCHITECTURAL
LIGHTING

UPDATED: 06.18.26

Project _____

Location _____

Quote/ Ref # _____

The **PSDL SERIES** indoor/outdoor drivers are highly efficient, stable with smooth dimming capability compatible with most TRIAC, ELV, MLV, reverse and forward phase dimmers, and on/off switches. These drivers are derated allowing them to be loaded to maximum wattage capacity.



SPECIFICATIONS

| | |
|-----------------------|---|
| CLASS 2 | Yes |
| LOAD REGULATION | 2% |
| LINE REGULATION | 5% |
| INPUT FREQUENCY | 47-63 Hz |
| POWER FACTOR | > 0.95 |
| EFFICIENCY | > 90% |
| MTBF | 50,000 Hrs. |
| DIMMING | ELV, MLV, and TRIAC |
| SHORT CIRCUIT | Short Circuit Auto Recovery |
| WIRE TERMINAL CONNECT | Fits up to 12AWG |
| HOUSING/ COOLING | Free-air convection |
| CONSTRUCTION | Indoor/ Outdoor NEMA-3 |
| ENVIRONMENT | Outdoor Rated IP65 |
| OPERATING TEMPERATURE | -40°F (-40°C) ~ 140°F (60°C) |
| FUNCTION SURFACE TEMP | -40 to 80 (25 C AMB) |
| STORAGE TEMPERATURE | -40°F (-40°C) ~ 176°F (80°C) |
| HUMIDITY | 20-90% RH, non condensing |
| CERTIFICATIONS | UL Listed |
| SAFETY STANDARDS | UL 8750, UL 1310 |
| WITHSTAND VOLTAGE | I/P-O/P : 1.88KV AC |
| EMC EMISSION | FCC Part 15 B |
| DIMENSIONS | 188 x 92.2 x 40.1mm (7.4 x 3.63 x 1.58") (LxWxH) |

INPUT

| | |
|-----------------------|-----------------|
| INPUT VOLTAGE RANGE | 100-277V AC |
| INPUT FREQUENCY RANGE | 47 - 63 Hz |
| POWER FACTOR (AVG.) | ≥ 0.95 |
| AC CURRENT (MAX.) | 0.5A (100V AC) |
| INRUSH CURRENT | 14A, 50%, 780us |
| LEAKAGE CURRENT | < 0.5mA |

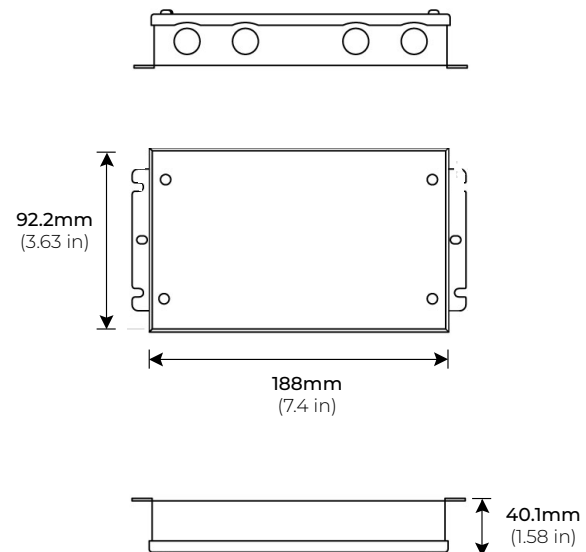
OUTPUT

| | |
|-----------------------|--------|
| OUTPUT VOLTAGE | 12V DC |
| OUTPUT CURRENT (MAX.) | 5A |
| OUTPUT WATTAGE (MAX.) | 60W |
| MINIMUM LOAD | 10% |
| MAXIMUM LOAD | 100% |

FEATURES

- High power factor/ efficiency
- Short circuit and over current protection
- NEMA 3R Indoor / Outdoor Enclosure
- 100-277V AC for any residential or commercial application
- Superior PWM dimming technology
- Factory derated
- Only 10% minimum load
- Compatible with TRIAC, MLV, and ELV dimmers
- Flicker-free dimming
- Outdoor Rated

DIMENSIONS



PSDL-60W-12V-UNV

DIMMABLE DRIVER W/ JUNCTION BOX

WIRING DIAGRAM

