

# PSDL-30W-12V-UNV

## DIMMABLE DRIVER W/ JUNCTION BOX

Project \_\_\_\_\_  
Location \_\_\_\_\_  
Quote/ Ref # \_\_\_\_\_

The **PSDL SERIES** indoor/outdoor drivers are highly efficient, stable with smooth dimming capability compatible with most TRIAC, ELV, MLV, reverse and forward phase dimmers, and on/off switches. These drivers are derated allowing them to be loaded to maximum wattage capacity.



### SPECIFICATIONS

CLASS 2	Yes
LOAD REGULATION	2%
LINE REGULATION	5%
INPUT FREQUENCY	47-63 Hz
POWER FACTOR	> 0.95
EFFICIENCY	> 90%
MTBF	50,000 Hrs.
DIMMING	ELV, MLV, and TRIAC
SHORT CIRCUIT	Short Circuit Auto Recovery
WIRE TERMINAL CONNECT	Fits up to 12AWG
HOUSING/ COOLING	Free-air convection
CONSTRUCTION	Indoor/ Outdoor NEMA-3
ENVIRONMENT	Outdoor Rated IP65
OPERATING TEMPERATURE	-40°F (-40°C) ~ 140°F (60°C)
FUNCTION SURFACE TEMP	-40 to 80 (25 C AMB)
STORAGE TEMPERATURE	-40°F (-40°C) ~ 176°F (80°C)
HUMIDITY	20-90% RH, non condensing
CERTIFICATIONS	UL Listed
SAFETY STANDARDS	UL 8750, UL 1310
WITHSTAND VOLTAGE	I/P-O/P : 1.88KV AC
EMC EMISSION	FCC Part 15 B
DIMENSIONS	165.1 x 92.2 x 40.1mm (6.5 x 3.63 x 1.58") (LxWxH)

### INPUT

INPUT VOLTAGE RANGE	100-277V AC
INPUT FREQUENCY RANGE	47 - 63 Hz
POWER FACTOR (AVG.)	≥ 0.95
AC CURRENT (MAX.)	0.5A (100V AC)
INRUSH CURRENT	7A, 50%, 42us
LEAKAGE CURRENT	< 0.5mA

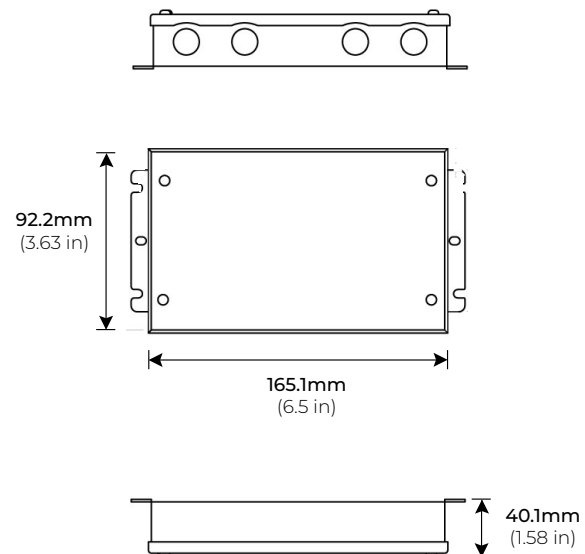
### OUTPUT

OUTPUT VOLTAGE	12V DC
OUTPUT CURRENT (MAX.)	2.5A
OUTPUT WATTAGE (MAX.)	30W
MINIMUM LOAD	10%
MAXIMUM LOAD	100%

### FEATURES

- High power factor/ efficiency
- Short circuit and over current protection
- NEMA 3R Indoor / Outdoor Enclosure
- 100-277V AC for any residential or commercial application
- Superior PWM dimming technology
- Factory derated
- Only 10% minimum load
- Compatible with TRIAC, MLV, and ELV dimmers
- Flicker-free dimming
- Outdoor Rated

### DIMENSIONS



# PSDL-30W-12V-UNV

DIMMABLE DRIVER W/ JUNCTION BOX

## WIRING DIAGRAM

