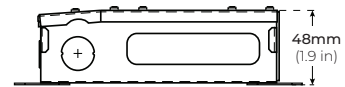
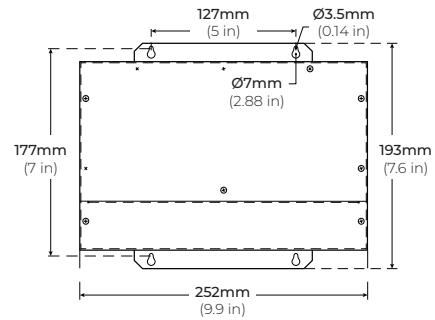


WIRING GUIDE

DIMENSIONS



PRE-INSTALLATION

Power input is 120-277V. Confirm the source voltage is compatible.

Disconnect power source prior to installation.

SAFETY

Read all instructions before installation.

These products may represent a possible shock or fire hazard if improperly installed.

Do not install less than 6 inches from a combustible material.

Do not install less than 5 feet above the ground.

Product should be installed by a qualified electrician.

Product should be installed in accordance with these instructions and current electrical codes.

WIRING GUIDE

