

PSDE-288W-24V-CL2-AWN

288W CLASS 2 LED DRIVER + LUTRON ATHENA NODE

Project _____

Location _____

Quote/ Ref # _____

PSDE-288W-24V-CL2-AWN is a Class 2 dimming driver designed for LED lighting systems. Its advanced patented circuit board delivers smooth, reliable dimming performance and is also compatible with architectural dimming controls without the need for a separate interface. A factory-installed Lutron Athena Wireless Node streamlines setup and allows for easy programming through the Lutron Designer software application, supporting digital wireless communication for dynamic lighting in smart building and human-centric lighting environments.



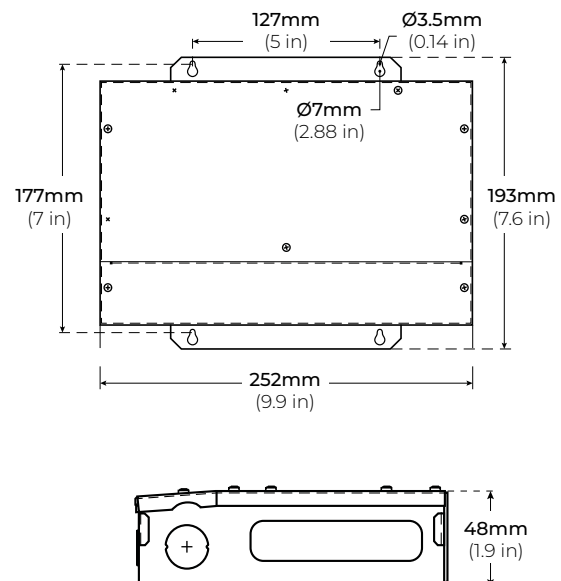
SPECIFICATIONS

INPUT	
INPUT VOLTAGE RANGE	120-277V AC
INPUT FREQUENCY RANGE	50/ 60Hz
POWER FACTOR	≥ 0.9 (120V) ≥ 0.9 (277V)
EFFICIENCY	91% (120V) 93% (277V)
INPUT CURRENT	3A (120V) 1.8A (277V)
INRUSH CURRENT	90A (277V AC)
THD	< 20%
OUTPUT	
OUTPUT VOLTAGE	24V DC
OUTPUT WATTAGE	288W (96W per channel)
OUTPUT CURRENT	4.1A per channel
# OF CHANNELS	3
LOAD REGULATION	± 0.5%
LINE REGULATION	± 0.5%
TURN ON DELAY TIME	< 0.5 sec
ATHENA NODE	
ATHENA NODE	1 Zone
ATHENA FREQUENCY	2.4 GHZ
ATHENA RANGE	Up to 25 ft. of 2 or more nodes
PROTECTION	
SHORT CIRCUIT	Yes
OVER LOAD	Yes
OVER TEMPERATURE	Yes
OVER VOLTAGE	Yes
ENVIRONMENT	
AMBIENT OPERATING TEMP	-40°F (-40°C) ~ 125°F (50°C)
STORAGE TEMPERATURE	-40°F (-40°C) ~ 185°F (85°C)
CASE TEMP (MAX)	194°F (90°C)
IP RATING	IP65
LIFETIME	≥ 80,000 Hrs

FEATURES

- 288W (96W x 3 channels)
- Class 2
- Athena Wireless Node
- Smooth, flicker-free dimming down to 1%
- Suitable for dry or damp locations
- Title 24 JAB
- UL Listed (US and Canada)

DIMENSIONS



PSDE-288W-24V-CL2-AWN

288W CLASS 2 LED DRIVER + LUTRON ATHENA NODE

WIRING DIAGRAM



THIS PRODUCT IS ONLY TO BE INSTALLED BY A QUALIFIED TECHNICIAN IN ACCORDANCE WITH NATIONAL AND LOCAL ELECTRICAL CODES

SAFETY & WARNINGS:

- Install this product in accordance with local and national electrical codes
- This product is rated for indoor use. For outdoor applications, use wet rated enclosure.
- **Make sure power from the main breaker is off** before installing to avoid risk of electrical shock.

MOUNTING:

Select a suitable and proper location to mount the driver. Consider weight of the driver to be supported.

INPUT CONNECTIONS/ GROUNDING:

1. Remove input wiring cover and install clamp connectors
2. Route the input wires and make connections according to the wiring diagram, following the INPUT side.

**Make sure that the driver is properly grounded in accordance with the N.E.C.*

OUTPUT CONNECTIONS:

1. Remove output wiring cover and install clamp connectors
2. Route the fixture wires and make connections according to the wiring diagram, following the OUTPUT side.

