

LPS FRAMELESS CUSTOM PANEL

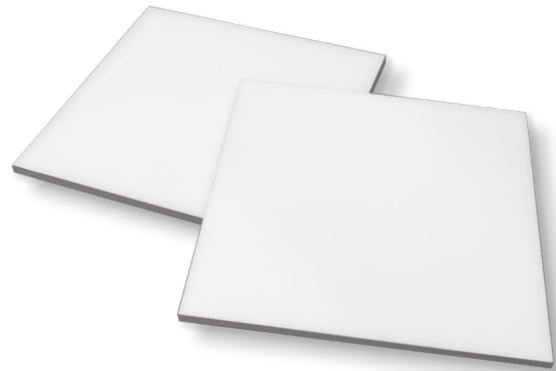
CUSTOMIZABLE FRAMELESS LED SHEET PANEL LIGHTING SYSTEM

Project _____

Location _____

Quote/ Ref # _____

Manufactured with high-quality light guide plate with advanced laser dot technology for uniform and seamless illumination and maximum brightness. Suitable for: Hospitality, Retail, Residential, Bars, Restaurants, Accent Lighting, Cove lighting, Millwork, Branding, Signage and Custom Fixtures.



SPECIFICATIONS

INPUT VOLTAGE	24V DC
POWER CONSUMPTION	4.5W/ Sq Ft.
THICKNESS	10mm
LUMEN OUTPUT	80~95 Lm/ W
CRI	90+
COLOR TEMPERATURE	30K/ 40K/ 50K/ 60K
WIRE SIZE	20 AWG 2 Wire
MAXIMUM SIZE	94.5 in. x 48 in. (L x W)
WEIGHT	1.46 lbs/ sq ft.
OPERATING VOLTAGE	120-277V
SURFACE LUX	2,000 - 10,000 LUX
UNIFORMITY	>85%
DIMMING	MLV, ELV, 0-10V, TRIAC and DALI
OPERATING TEMPERATURE	-22°F (-30°C) to 104°F (40°C)
ENVIRONMENT	Damp Location
LUMEN MAINTENANCE	50,000 Hrs.
CERTIFICATIONS	UL Listed, CE, RoHS

FEATURES

- Dimmable to 1%
- 10mm Thickness
- Damp Location Rated
- Any shape or size up to 94.5" x 48" (L x W)
- UL Listed (US and Canada)

* Approved for closet/ storage space installation per NEC 410.16(A)(3) and 410.16(C)(5)



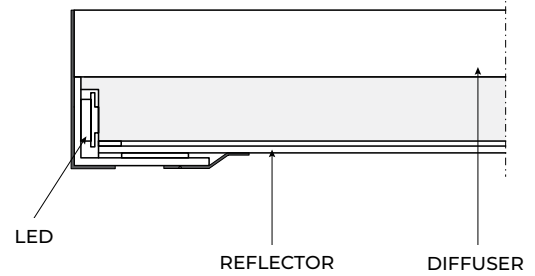
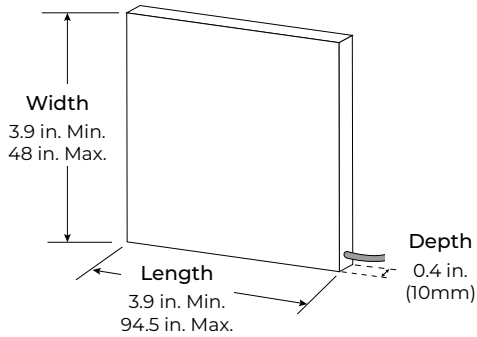
MODEL	COLOR TEMP	SIZE	LENS	POWER FEED	VOLT
LPS-FL	30K 3000K	*XX Custom	FR* Matte Frosted	<u>Side Feed</u> A1 A2 A3 A4 A5 A6 A7 A8	24V 24V DC
	40K 4000K				
	50K 5000K				
	60K 6000K				
				<u>Back Feed</u> B1 B2 B3 B4	
		* L x W (length x width) Please consult factory	* Matte Frosted Diffuser is standard	See page 3 for powerfeed reference	

LPS FRAMELESS CUSTOM PANEL

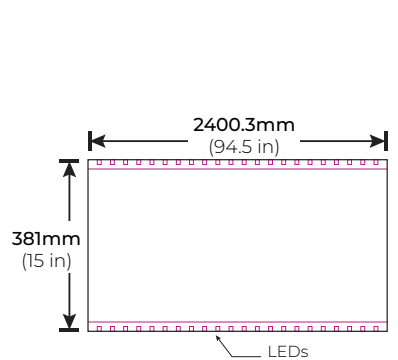
CUSTOMIZABLE FRAMELESS LED SHEET PANEL LIGHTING SYSTEM

UPDATED: 06.11.26

DIMENSIONS

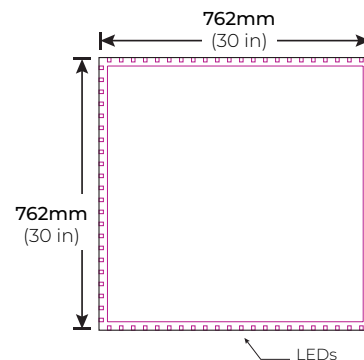


SURFACE ILLUMINATION



LED ON 2 SIDES

Over 15" between LEDs



LED ON 4 SIDES

Over 30" between LEDs

ILLUMINATION GUIDE

SIZE	LED STRIP	SURFACE BRIGHTNESS	WATT
6 in. x 6 in.	1 Side	6,000 Lx	2W
12 in. x 12 in.	1 Side	3,000 Lx	4W
24 in. x 24 in.	2 Sides	3,200 Lx	15W
36 in. x 36 in.	2 Sides	2,600 Lx	23W

LPS FRAMELESS CUSTOM PANEL

CUSTOMIZABLE FRAMELESS LED SHEET PANEL LIGHTING SYSTEM

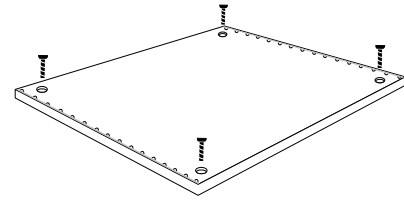
UPDATED: 06.11.26

MOUNTING ACCESSORIES

Hardware provided by others.

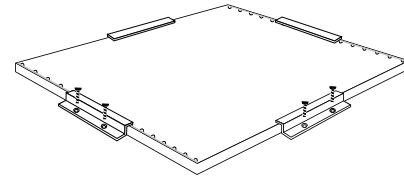
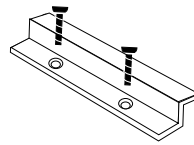
SCREWS

*Holes are drilled during the manufacturing process according to specification drawings.

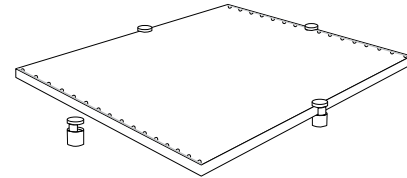
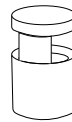


Z-CLIPS

*Screw Z-Clips to the back of the frame and to the wall.

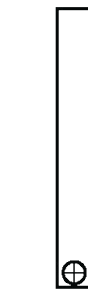
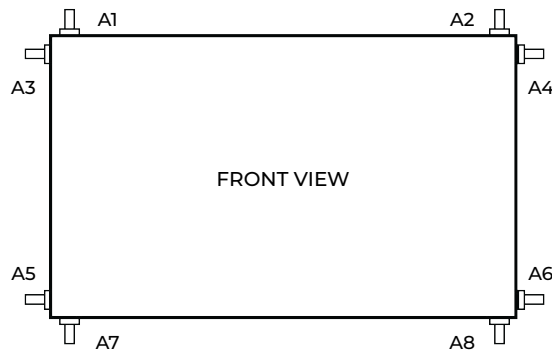


MIRROR CLIPS

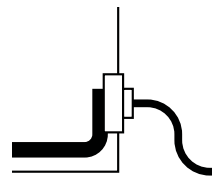


POWER FEED OPTIONS

TYPE A SIDE FEED

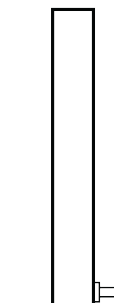
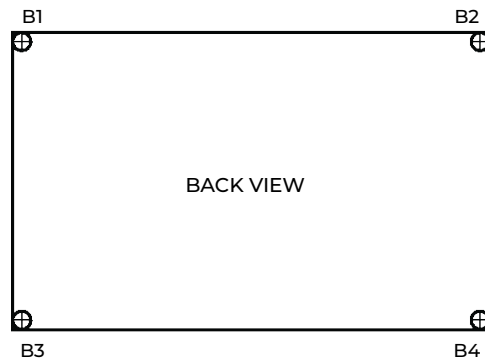


SIDE VIEW

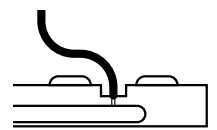


STANDARD EXIT

TYPE B BACK FEED



SIDE VIEW



REAR EXIT

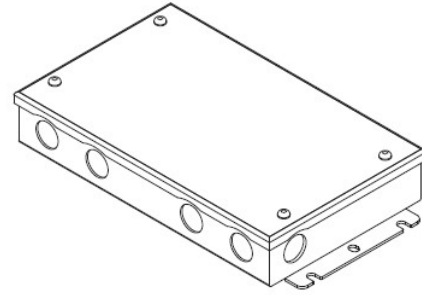
LPS FRAMELESS CUSTOM PANEL

CUSTOMIZABLE FRAMELESS LED SHEET PANEL LIGHTING SYSTEM

COMPATIBLE TRANSFORMERS

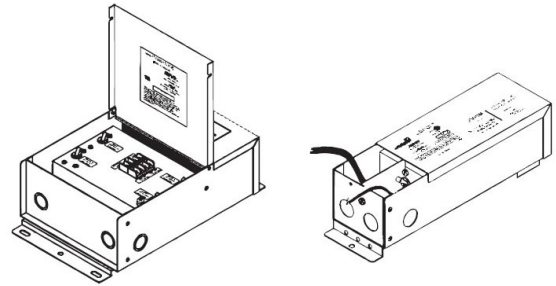
PSDL SERIES TRIAC DIMMABLE

PSDL-30W-24V	CLASS 2	6.5" X 3.63" X 1.58"
PSDL-60W-24V	CLASS 2	7.4" X 3.63" X 1.58"
PSDL-96W-24V	CLASS 2	8.67" X 3.67 X 1.62"
PSDL-150W-24V		10.25" X 4.06" X 1.82"
PSDL-192W-24V	CLASS 2	11" X 4" X 1.82"
PSDL-200W-24V		10.25" X 4.06" X 1.82"
PSDL-288W-24V	CLASS 2	11.85" X 4.25" X 1.82"
PSDL-300W-24V		10.25" X 4.06" X 1.82"



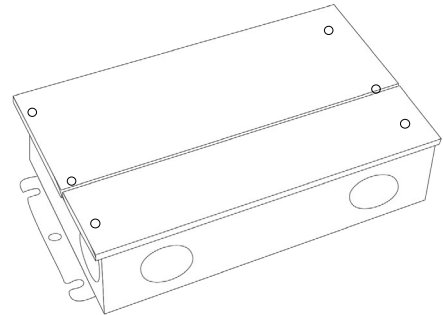
PSDH SERIES HIGH PERFORMANCE MAGNETIC LOW VOLTAGE (MLV)

PSDH-48W-24V	CLASS 2	11.25" X 3.38" X 3.38"
PSDH-96W-24V	CLASS 2	11.25" X 3.38" X 3.37"



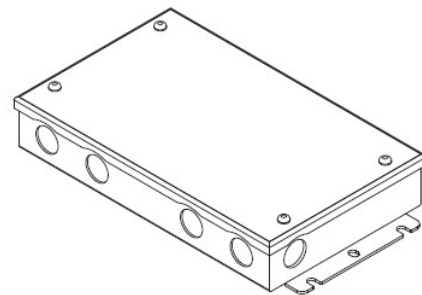
PSRX SERIES 4-IN-1 DIMMING DRIVER W/ JUNCTION BOX

PSRX-30W-24V-UNV	CLASS 2	6.5" X 3.7" X 1.57"
PSRX-60W-24V-UNV	CLASS 2	7.4" X 3.72" X 1.57"
PSRX-96W-24V-UNV	CLASS 2	8.66" X 3.72" X 1.57"
PSRX-150W-24V-UNV		10.24" X 4.13" X 1.77"
PSRX-200W-24V-UNV		10.24" X 4.13" X 1.77"
PSRX-300W-24V-UNV		10.94" X 4.33" X 1.77"



PSVT SERIES 0-10V DIMMING WITH JUNCTION BOX

PSVT-60W-24V-UNV-010	CLASS 2	7.4" X 3.72" X 1.57"
PSVT-96W-24V-UNV-010	CLASS 2	8.66" X 3.72" X 1.57"
PSVT-200W-24V-UNV-010		10.24" X 4.13" X 1.77"
PSVT-288W-24V-UNV-010	CLASS 2	11.85" X 4.25" X 1.81"
PSVT-300W-24V-UNV-010		10.94" X 4.33" X 1.77"



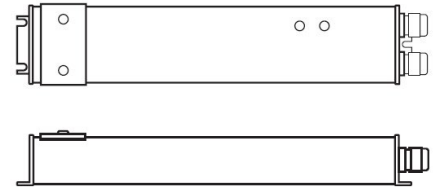
LPS FRAMELESS CUSTOM PANEL

CUSTOMIZABLE FRAMELESS LED SHEET PANEL LIGHTING SYSTEM

COMPATIBLE TRANSFORMERS

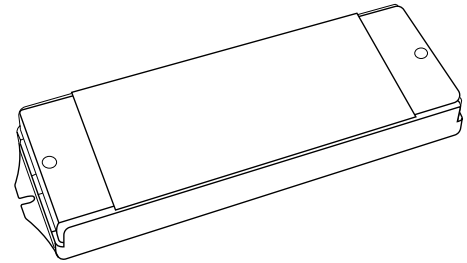
PSDE SERIES
0-10V DIMMING W/ JUNCTION BOX

PSDE-60W-24V-010-JB	CLASS 2	12.1" X 2.36" X 1.4"
PSDE-96W-24V-010-JB	CLASS 2	12.1" X 2.36" X 1.4"



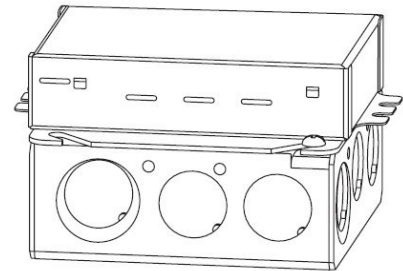
PSDE SERIES
DALI-2 DIMMING DRIVER

PSDE-30W-24V-UNV-DALI	CLASS 2	6.75" X 2.13" X 0.79"
PSDE-60W-24V-UNV-DALI	CLASS 2	6.75" X 2.13" X 0.79"



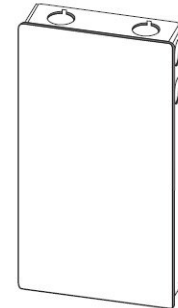
LUTRON 1%
3-WIRE DIMMING

L3DA4U1UKL-CV240	CLASS 2	4.89" X 4" X 2.62"
------------------	---------	--------------------



LUTRON 1%

PSDE-96W-24V-ECO	CLASS 2	10.5" X 3.0" X 2.0"
------------------	---------	---------------------



COMPATIBLE NON-DIMMING DRIVERS

PSHK SERIES
NON-DIMMING CONSTANT VOLTAGE WITH JUNCTION BOX

PSHK-30W-24V	CLASS 2	6.5" X 3.6" X 1.02"
PSHK-60W-24V	CLASS 2	7.4" X 3.62" X 1.02"
PSHK-96W-24V	CLASS 2	8.66" X 3.66" X 1.61"
PSHK-150W-24V		10.24" X 4.06" X 1.81"
PSHK-200W-24V		10.24" X 4.06" X 1.81"
PSHK-288W-24V	CLASS 2	11.85" X 4.25" X 1.82"
PSHK-300W-24V		10.94" X 4.25" X 1.81"

