

# LFO-100

## 10.97W INDOOR/ OUTDOOR FLEXIBLE LED STRIP

Project \_\_\_\_\_

Location \_\_\_\_\_

Quote/ Ref # \_\_\_\_\_

**LFO-100** is an indoor and outdoor flexible LED Strip that features the smallest, most discreet optical linear design. Easy to mount and install to nearly any surface and easily adaptable to almost any indoor or outdoor application. Its miniature optics are ideal for grazing, wall washing, cove and other architectural or accent lighting applications. Its silicone modular housing makes it durable to withstand harsh elements.



### SPECIFICATIONS

INPUT VOLTAGE	24V DC
POWER CONSUMPTION	10.97W per Ft.
LUMEN OUTPUT	703lm ~ 954 lm/ Ft.
NO. OF LEDS	6 LEDs/ Ft.
BEAM ANGLE	20° / 30° / 45° / 60° / 20°x45°
BENDING DIAMETER	4 in. Min.
CRI	90+
COLOR TEMPERATURE	27K / 30K / 35K / 40K / 50K
DIMMING/ CONTROL	ELV, 0-10 and TRIAC
MAXIMUM RUN LENGTH	8 Ft.
CUTTABLE	Every 11.81 in
IP RATING	IP67 Outdoor/ Wet Rated
OPERATING TEMPERATURE	-40°F (-40°C) to 149°F (65°C)
STORAGE TEMPERATURE	-40°F (-40°C) to 185°F (85°C)
LUMEN MAINTENANCE	50,000 Hrs.
CERTIFICATIONS	UL Listed

### FEATURES

- 10.97W per Ft
- 703 ~ 954 Lumens per Ft.
- 90+ CRI
- UL Listed
- UV Resistant



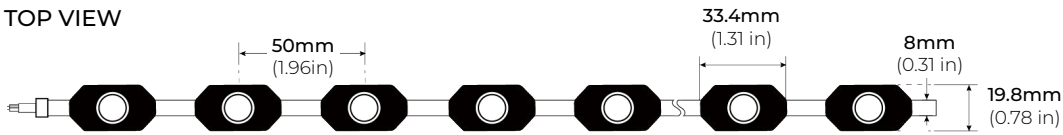
MODEL	COLOR TEMP	LENGTH	OPTICS	VOLTAGE	POWER FEED
LFO-100	<b>27K</b> 2700K	<b>4</b> 3.94 Ft.	<b>20</b> 20°	<b>24</b> 24V DC	<b>IP67EF</b> End Feed
	<b>30K</b> 3000K	<b>8</b> 7.87 Ft.	<b>30</b> 30°		<b>IP67SFL</b> Side Feed Left
	<b>35K</b> 3500K	<b>1'XX</b> per Ft.	<b>45</b> 45°		<b>IP67SFR</b> Side Feed Right
	<b>40K</b> 4000K		<b>60</b> 60°		
	<b>50K</b> 5000K		<b>20x45</b> 20° x 45°		
		*1 = Custom length per FT. (cuttable every 11.81")			

# LFO-100

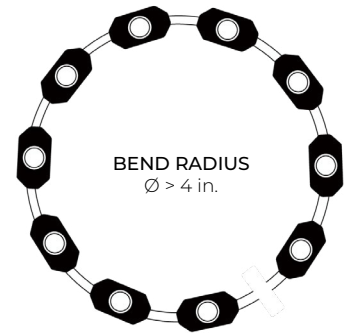
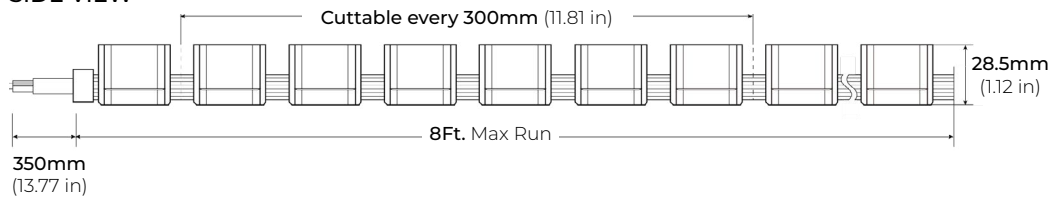
## 10.97W INDOOR/ OUTDOOR FLEXIBLE LED STRIP

### DIMENSIONS

#### TOP VIEW



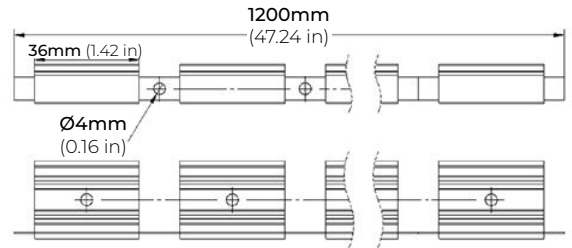
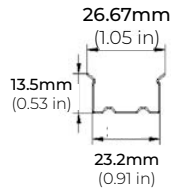
#### SIDE VIEW



### ACCESSORIES

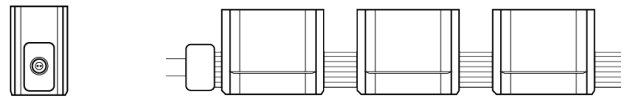
#### LFO-100-FX48

STAINLESS INSTALLATION CHAIN  
20.6 X 28.5mm

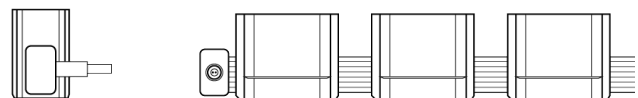


### IP67 POWER FEEDS

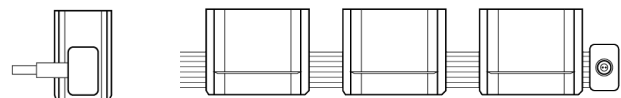
#### IP67EF END FEED



#### IP67SFL SIDE FEED LEFT



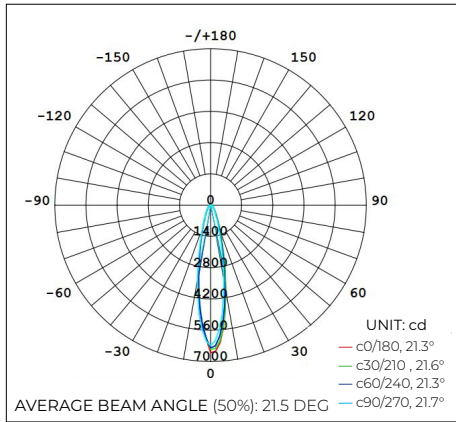
#### IP67SFR SIDE FEED RIGHT



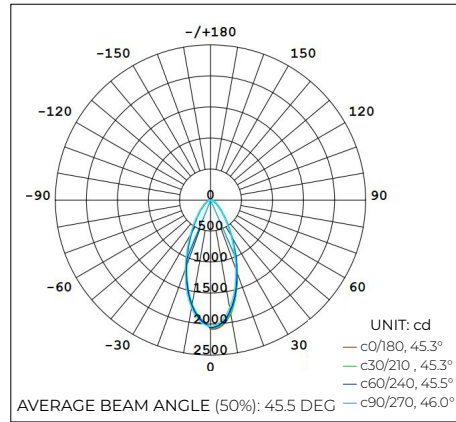
# LFO-100

## 10.97W INDOOR/ OUTDOOR FLEXIBLE LED STRIP

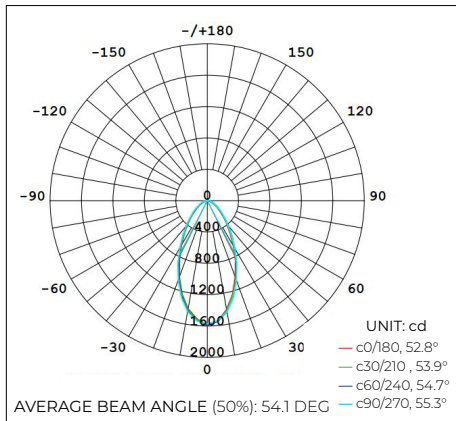
### OPTICS



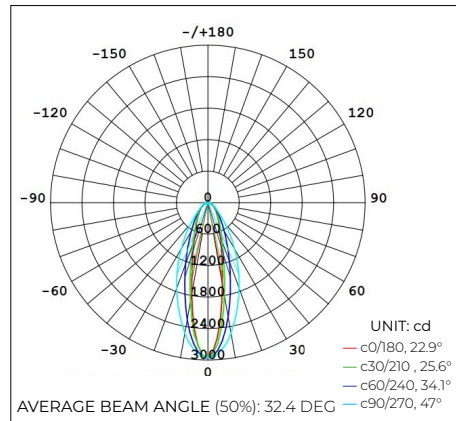
20°



45°



60°



20° X 45°

# LFO-100

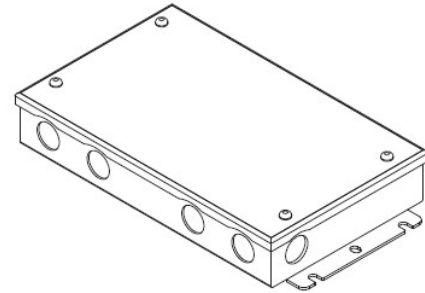
## 10.97W INDOOR/ OUTDOOR FLEXIBLE LED STRIP

UPDATED: 06.04.26

### COMPATIBLE TRANSFORMERS

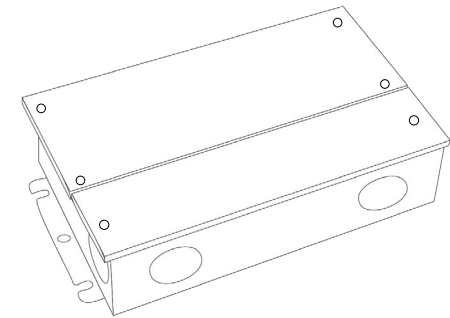
#### PSDL SERIES TRIAC DIMMABLE

PSDL-30W-24V	CLASS 2	6.5" X 3.63" X 1.03"
PSDL-60W-24V	CLASS 2	7.4" X 3.63" X 1.03"
PSDL-96W-24V	CLASS 2	8.67" X 3.67 X 1.62"
PSDL-150W-24V		8.67" X 3.67" X 1.62"
PSDL-192W-24V	CLASS 2	10.25" X 4.06" X 1.82"
PSDL-200W-24V		10.25" X 4.06" X 1.82"
PSDL-288W-24V	CLASS 2	10.25" X 4.06" X 1.82"
PSDL-300W-24V		10.25" X 4.06" X 1.82"



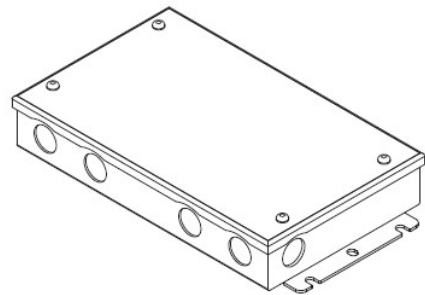
#### PSRX SERIES 0-10V DIMMING DRIVER

PSRX-30W-24V	CLASS 2	6.5" X 3.72" X 1.57"
PSRX-60W-24V	CLASS 2	7.4" X 3.72" X 1.57"
PSRX-96W-24V	CLASS 2	8.66" X 3.72" X 1.57"
PSRX-150W-24V		10.24" X 4.13" X 1.77"
PSRX-192W-24V	CLASS 2	11" X 4" X 1.82"
PSRX-200W-24V		10.24" X 4.13" X 1.77"
PSRX-288W-24V	CLASS 2	11.85" X 4.25" X 1.82"
PSRX-300W-24V		10.94" X 4.33" X 1.77"



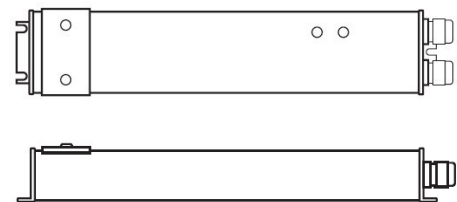
#### PSVT SERIES 4-IN-1 DIMMING DRIVER

PSVT-60W-24V	CLASS 2	7.4" X 3.72" X 1.57"
PSVT-96W-24V	CLASS 2	8.66" X 3.72" X 1.57"
PSVT-200W-24V		10.24" X 4.13" X 1.77"
PSVT-288W-24V	CLASS 2	11.85" X 4.25" X 1.81"
PSVT-300W-24V		10.94" X 4.33" X 1.77"



#### PSDE SERIES 0-10V DIMMING W/ JUNCTION BOX

PSDE-60W-24V-010-JB	CLASS 2	12.1" X 2.36" X 1.4"
PSDE-96W-24-010-JB	CLASS 2	12.1" X 2.36" X 1.4"



# LFO-100

## 10.97W INDOOR/ OUTDOOR FLEXIBLE LED STRIP

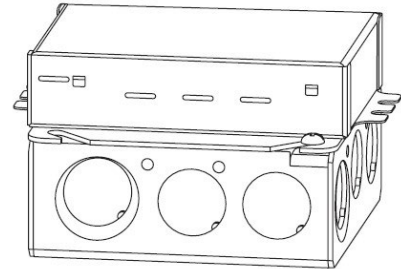
UPDATED: 06.04.26

### COMPATIBLE TRANSFORMERS

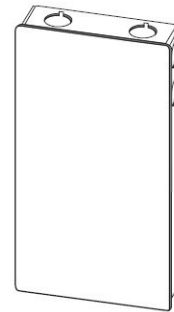
---

LUTRON 1%  
3-WIRE DIMMING

L3DA4U1UKL-CV240      CLASS 2    4.89" X 4" X 2.62"



PSDE-96W-24V-ECO      CLASS 2    10.5" X 3.0" X 2.0"



### COMPATIBLE NON-DIMMING DRIVERS

---

PSHK SERIES  
NON-DIMMING CONSTANT VOLTAGE WITH JUNCTION BOX

PSHK-30W-24V	CLASS 2	6.5" X 3.6" X 1.02"
PSHK-60W-24V	CLASS 2	7.4" X 3.62" X 1.02"
PSHK-96W-24V	CLASS 2	8.66" X 3.66" X 1.61"
PSHK-150W-24V		10.24" X 4.06" X 1.81"
PSHK-200W-24V		10.24" X 4.06" X 1.81"
PSHK-288W-24V	CLASS 2	11.85" X 4.25" X 1.82"
PSHK-300W-24V		10.24" X 4.25" X 1.81"

