

ALU-CN

SURFACE / CORNER MOUNT 45° LED PROFILE

Project _____
Location _____
Quote/ Ref # _____

The **ALU-CN** is an Architectural-grade LED extrusion designed for surface / corner mount applications and can fit linear LED strips up to 12mm (0.48") wide. Made from high quality aluminum and manufactured with a patented frosted diffuser for maximum lumen output and wider beam distribution.



SPECIFICATIONS

TYPE	Surface Mount
LED STRIP	Fits LED strips up to 12mm (0.48 in)
LENGTHS	39.375" / 78.875" / 84" / 96"
FINISH	Silver, Black
LENS OPTIONS	Frosted / Clear/ Black
CHANNEL	ALU-CN
LENS	ALU-LN50 (sold separately)
END CAP	ALU-CN-EC
MOUNTING CLIPS	ALU-CN-M
WEIGHT	1.5 lbs

FEATURES

- Customizable
- Compatible with LED strips up to 12mm (0.48 in) wide
- Durable, anodized aluminum
- Protects LED systems from dust and other elements
- Slim, low profile design
- Dissipates heat from LED, prolonging its lifetime

*LED strips sold separately



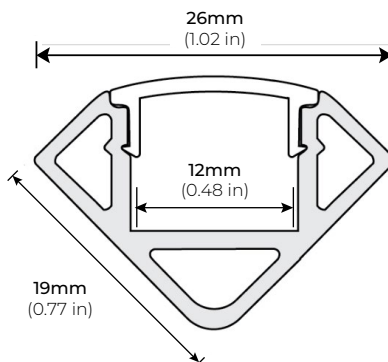
MODEL	LENGTH	FINISH
ALU-CN	39* 39.375 In.	SI Silver
	78* 78.875 In.	BK Black
	84 84 In.	CU Custom (powder-coat)
	96 96 In.	
*Black finish is standard for 39" and 78"		*Custom color finishes require powder coating. Allow 7 days lead time.

MODEL	LENGTH	LENS
ALU-LN50	39 39.375 In.	FR Frosted
	78 78.875 In.	CL Clear
	84 84 In.	BL Black
	96 96 In.	

ALU-CN

SURFACE / CORNER MOUNT 45° LED PROFILE

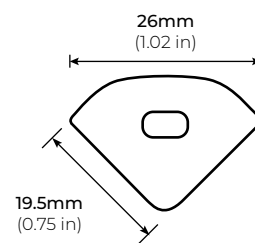
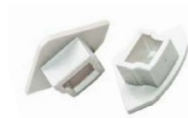
DIMENSIONS



ACCESSORIES

ALU-CN-EC END CAP

*Two end caps included with every channel



ALU-CN-M METAL MOUNTING CLIPS

*2 pcs. included for every 4 ft.

