

# ALP-70R

## RECESSED MOUNT LED PROFILE

Project \_\_\_\_\_

Location \_\_\_\_\_

Quote/ Ref # \_\_\_\_\_

The **ALP70R** is an architectural-grade LED extrusion designed for recessed applications and compatible with linear LED strips up to 15mm (0.59") wide. Made from high quality aluminum, these extrusions provide superior thermal management for LED strips and prolong the lighting system's lifespan. Manufactured with a patented frosted diffuser for maximum lumen output and wider beam distribution.



## SPECIFICATIONS

TYPE	Recessed
AVAILABLE LENGTHS	49 in.   98.5 in.
FINISH	Silver, Black
LENS OPTION	Frosted, Black
CHANNEL	ALP70R
LENS	ALP70R-LN (Included)
END CAP	ALP70R-EC

## FEATURES

- Customizable
- Compatible with LED strips up to 15mm (0.59 in) wide
- Durable, anodized aluminum
- Protects LED systems from dust and other elements
- Slim, low profile design
- Suitable for recessed installations and applications

\*LED strips sold separately



MODEL	LENGTH	LENS	FINISH
ALP70R	<b>49</b> 49 in.	<b>FR</b> Frosted	<b>SI</b> Silver
	<b>98</b> 98.5 in.	<b>BL</b> Black	<b>BK</b> Black
			<b>CU</b> Custom (Powder Coat)

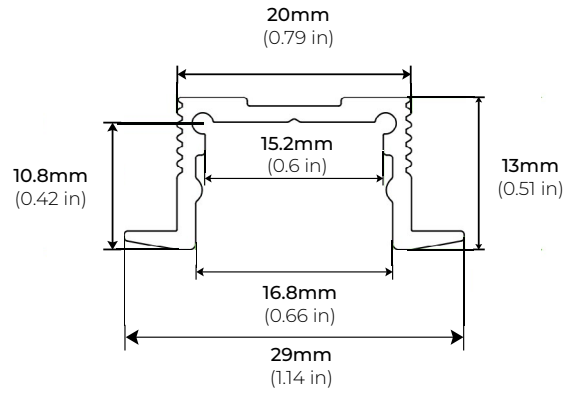
\* Custom color finishes require powder coating. Allow 7 days lead time.

# ALP-70R

## RECESSED MOUNT LED PROFILE

UPDATED: 06.18.26

### DIMENSIONS



### ACCESSORIES

#### ALP70R-EC END CAP

\* 2 INCLUDED WITH EVERY CHANNEL

