

ALP-60R

RECESSED MOUNT LED PROFILE

Project _____

Location _____

Quote/ Ref # _____

The **ALP-60R** is a recessed architectural grade LED extrusion profile designed for linear LED strips up to 11mm (0.43") wide. Made from high quality anodized aluminum, this extrusion provides superior thermal management for higher wattage LED strips and prolong the lifespan of the lighting system. This recessed mount profile comes with a patented frosted diffuser lens for maximum lumen output and wide beam distribution. The ALP-60R profile helps protect LED's from dust and other undesirable elements, which can shorten the LEDs life. They are also an elegant design solution for any space.



SPECIFICATIONS

TYPE	Recessed
AVAILABLE LENGTHS	49.25 in. 84 in. 98.5 in.
FINISH	White, Black, Silver
LENS OPTION	Frosted , Black
CHANNEL	ALP60R
LENS	ALP60R-LN (Included)
END CAP	ALP60R-EC

FEATURES

- Customizable
- Compatible with LED strips up to 11mm (0.43 in) wide
- Durable, anodized aluminum
- Protects LED systems from dust and other elements
- Dissipates heat from LED, prolonging its lifetime
- Suitable for recessed installations and applications

*LED strips sold separately



MODEL	LENGTH	LENS	FINISH
ALP60R	49 49.25 in.	FR Frosted	WH White
	84 84 in.		BK Black
	98 98.5 in.	SI Silver	
			CU Custom (Powder Coat)

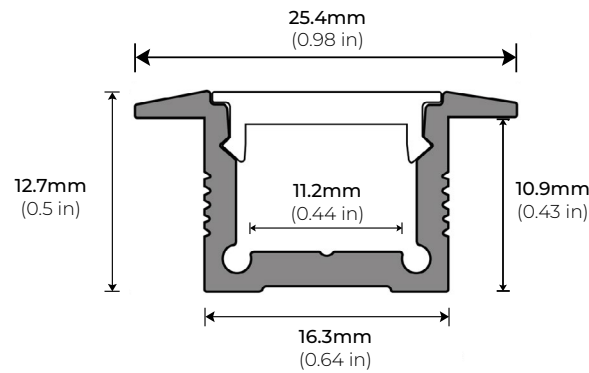
* Custom color finishes require powder coating. Allow 7 days lead time.

ALP-60R

RECESSED MOUNT LED PROFILE

UPDATED: 06.18.26

DIMENSIONS



ACCESSORIES

ALP60R-EC END CAP

* 2 INCLUDED WITH EVERY CHANNEL

