

# ALP-20R

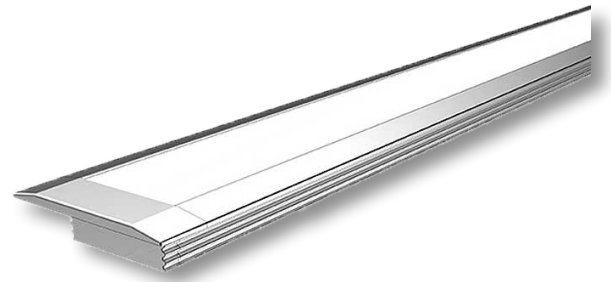
## RECESSED MOUNT LED PROFILE

Project \_\_\_\_\_

Location \_\_\_\_\_

Quote/ Ref # \_\_\_\_\_

The **ALP-20R** is a recessed, Architectural Grade LED extrusion profile designed for linear LED strips up to 12mm (0.47 in) wide. Made from high quality anodized aluminum, these extrusions provide superior thermal management for higher wattage LED strips and prolong the lifespan of the lighting system. This surface mount profile comes with a patented frosted diffuser lens for maximum lumen output and wide beam distribution. The ALP-20R profile helps protect LED's from dust and other undesirable elements, which can shorten the LED's life. They are also an elegant design solution for any space.



## FEATURES

- Customizable
- Compatible with 12mm (0.47") wide LED strips
- Durable, anodized aluminum
- Frosted lens diffuser included
- Protects LED systems from dust and other elements
- Dissipates heat from LED, prolonging its lifetime
- Suitable for recessed installations and applications

## SPECIFICATIONS

TYPE	Recessed Mount
AVAILABLE LENGTHS	49 in./ 98 in.
FINISH	White, Black, Silver
LENS OPTION	Frosted, Black
CHANNEL	ALP20R
LENS	ALP20R-LN (Frosted Lens Included)
END CAP	ALP20R-EC (Included)
WARRANTY	5 Years



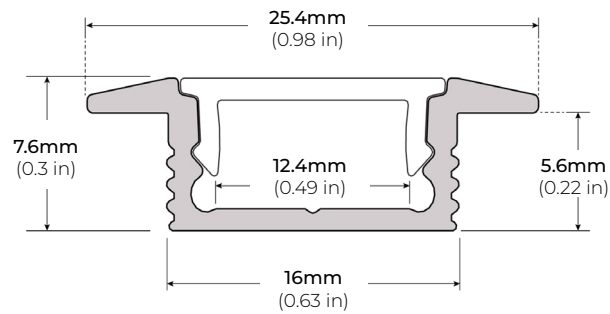
MODEL	LENGTH	LENS	FINISH
ALP20R	<b>49</b> 49.25 in.	<b>FR</b> Frosted	<b>WH</b> White
	<b>98</b> 98.5 in.	<b>BL</b> Black	<b>BK</b> Black
			<b>SI</b> Silver
			<b>CU</b> Custom (Powder Coat)

\* Custom color finishes require powder coating. Allow 7 days lead time.

# ALP-20R

## RECESSED MOUNT LED PROFILE

### DIMENSIONS



### ASSEMBLY

