

ACL-1005

SURFACE MOUNT PROFILE

Project _____

Location _____

Quote/ Ref # _____

The **ACL-1005** is a recessed, Architectural Grade LED extrusion profile designed for linear LED strips up to 10.5mm (0.41 in) wide. Made from high quality anodized aluminum, these extrusions provide superior thermal management for higher wattage LED strips and prolong the lifespan of the lighting system. This surface mount profile comes with a patented frosted diffuser lens for maximum lumen output and wide beam distribution. The ACL-1005 profile helps protect LED's from dust and other undesirable elements, which can shorten the LED's life. They are also an elegant design solution for any space.



SPECIFICATIONS

TYPE	Surface Mount
AVAILABLE LENGTHS	39 in. / 78 in.
FINISH	Black
LENS OPTION	Frosted
CHANNEL	ACL1005
LENS	ACL1005-LN (Frosted Lens Included)
END CAP	ACL1005-EC (Included)
WARRANTY	5 Years

FEATURES

- Customizable
- Compatible with 10.5mm (0.41") wide LED strips
- Durable, anodized aluminum
- Frosted lens diffuser included
- Protects LED systems from dust and other elements
- Dissipates heat from LED, prolonging its lifetime
- Suitable for recessed installations and applications

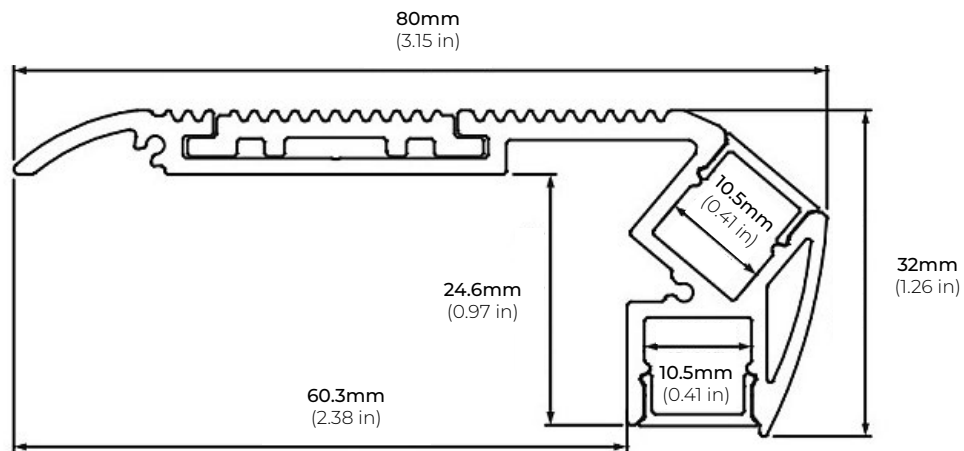


MODEL	LENGTH	LENS	FINISH
ACL1005	39 39 in.	FR Frosted	BK Black
	78 78 in.		

ACL-1005

SURFACE MOUNT PROFILE

DIMENSIONS



ACCESSORIES

ACL1005-EC
END CAP

*SOLD SEPARATELY

