

# ACL-1004

## SURFACE MOUNT PROFILE

Project \_\_\_\_\_

Location \_\_\_\_\_

Quote/ Ref # \_\_\_\_\_

The **ACL-1004** is a recessed, Architectural Grade LED extrusion profile designed for linear LED strips up to 13.3mm (0.52 in) wide. Made from high quality anodized aluminum, these extrusions provide superior thermal management for higher wattage LED strips and prolong the lifespan of the lighting system. This surface mount profile comes with a patented frosted diffuser lens for maximum lumen output and wide beam distribution. The ACL-1004 profile helps protect LED's from dust and other undesirable elements, which can shorten the LED's life. They are also an elegant design solution for any space.



## SPECIFICATIONS

TYPE	Surface Mount
AVAILABLE LENGTHS	39 in. / 78 in.
FINISH	Black
LENS OPTION	Frosted
CHANNEL	ACL1004
LENS	ACL1004-LN (Frosted Lens Included)
END CAP	ACL1004-EC (Included)
WARRANTY	5 Years

## FEATURES

- Customizable
- Compatible with 13.3mm (0.52") wide LED strips
- Durable, anodized aluminum
- Frosted lens diffuser included
- Protects LED systems from dust and other elements
- Dissipates heat from LED, prolonging its lifetime
- Suitable for recessed installations and applications

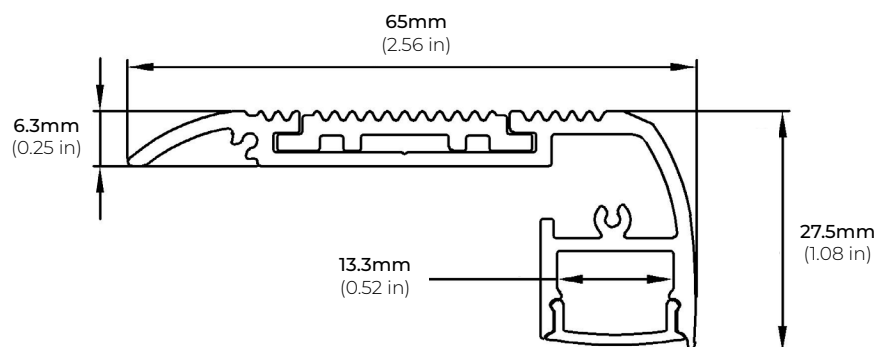


MODEL	LENGTH	LENS	FINISH
ACL1004	<b>39</b> 39 in.	<b>FR</b> Frosted	<b>BK</b> Black
	<b>78</b> 78 in.	<b>CL</b> Clear Lens	
	<b>WL</b> White Lens		
	<b>BL</b> Black Lens		

# ACL-1004

## SURFACE MOUNT PROFILE

### DIMENSIONS



### ACCESSORIES

ACL1004-EC  
END CAP

\*SOLD SEPARATELY

