

# ACL-1003

## SURFACE MOUNT PROFILE

Project \_\_\_\_\_

Location \_\_\_\_\_

Quote/ Ref # \_\_\_\_\_

The **ACL-1003** is an Architectural-grade LED extrusion designed for surface mount applications and can fit linear LED strips up to 12.3mm (0.48") wide. Made from high quality aluminum and manufactured with a patented frosted diffuser for maximum lumen output and wider beam distribution.



## SPECIFICATIONS

TYPE	Surface Mount
AVAILABLE LENGTHS	39 in. / 78 in.
FINISH	Black / Silver
LENS OPTION	Frosted
CHANNEL	ACL1003
LENS	ACL1003-FR (Frosted)
END CAP	ACL1003-EC
WARRANTY	5 Years

## FEATURES

- Customizable
- Durable, anodized aluminum
- Protects LED systems from dust and other elements
- Slim, low profile design
- Dissipates heat from LED, prolonging its lifetime
- Compatible with LED strips up to 12.3mm (0.48 in.) wide



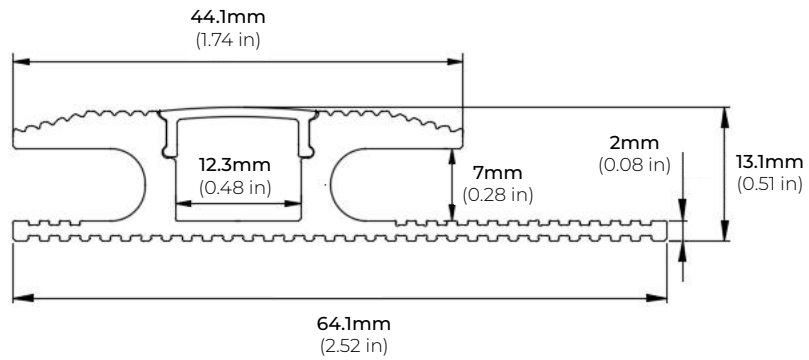
MODEL	LENGTH	LENS	FINISH
ACL1003	<b>39</b> 39 in.	<b>FR</b> Frosted Lens	<b>BK</b> Black
	<b>78</b> 78 in.	<b>CL</b> Clear Lens	<b>SI</b> Silver
		<b>WL</b> White Lens	<b>CU</b> Custom (Powder Coat)

\* Custom color finishes require powder coating. Allow 7 days lead time.

# ACL-1003

SURFACE MOUNT PROFILE

## DIMENSIONS



## COMPATIBLE ACCESSORIES

ACL1003-EC  
END CAP

\*SOLD SEPARATELY

