

# SLG-2200

## 0-10V HP INTERNAL LED LINEAR COVE

Project \_\_\_\_\_  
Location \_\_\_\_\_  
Quote/ Ref # \_\_\_\_\_

The **SLG-2200** linear cove / wall washer comes in high and standard outputs with multiple color temperature options. Its proprietary small, adjustable mounting and continuous run connectors make the SLG-2200 series suitable for any architectural, retail, hospitality and display applications.



### SPECIFICATIONS

INPUT VOLTAGE	110-277V AC
OPERATING FREQUENCY	50/ 60 Hz
DRIVER	Internal/ Built-In
POWER CONSUMPTION	11.7W (1 Ft.)   45.2W (4FT.)
DISTRIBUTION	120° x 120°
CRI	90+
COLOR TEMPERATURE	22K / 25K / 27K / 30K / 35K / 40K / 50K / WD
DIMMING/ CONTROL	110-277V AC 0-10V, DMX/ RDM
LENS	Clear Polycarbonate
CONNECTORS	Integral Male/ Female 5 pin
MAXIMUM RUN LENGTH	48 Ft.
ENVIRONMENT	Indoor/ Dry/ Damp Location
OPERATING TEMPERATURE	14°F (-10°C) to 104°F (+40°C)
STORAGE TEMPERATURE	40°F (-40°C) to 176°F (+80°C)
MOUNTING OPTIONS	Adjustable 80° + 80°
CERTIFICATIONS	ETL, Conforms to UL STD 1598, Certified to CSA STD C2.2 NO.250.0-08

### FEATURES

- Up to 1100+ Lumens per Ft.
- Up to 90+ Lumens per Watt
- Proprietary Optical Technology
- 0-10V, DMX and MultiVolt Input Options
- Small Profile Fixture
- Continuous Run Capability
- Proprietary Adjustable Mounting Bracket
- Facade Wall Washing
- Graze Lighting
- Signage

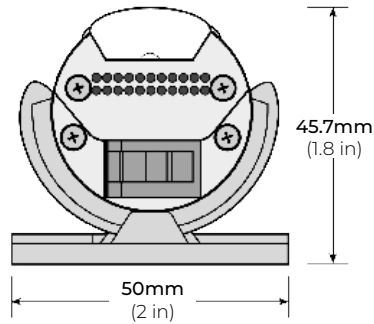


MODEL	LENGTH	LUMENS	COLOR TEMP	LENS	VOLTAGE	DIMMING
SLG	2212 12 In.	HO High Output 11.7W / 1100Lm	22K 2200K	FR Frosted	UNV 120~277V	DIM10 0-10V
		LO Low Output 8W / 800Lm	25K 2500K	CL Clear		
	27K 2700K					
	30K 3000K					
	35K 3500K					
	40K 4000K					
	50K 5000K					
WD 18K-30K						
	2248 48 In.					DIM10-AWM 0-10V AWM Lutron Athena

# SLG-2200

## 0-10V HP INTERNAL LED LINEAR COVE

### DIMENSIONS



### LUMENS

MODEL	CCT	Lumen/ FT	EFFICACY (lm/W)
SLG-2200	2200K	1066	89.9
	2500K	1070	90.8
	2700K	1076	91.9
	3000K	1081	92.4
	3500K	1105	94.4
	4000K	1130	96.6
	5000K	1144	98.6

### COMPATIBLE ACCESSORIES

#### SLG-LNK-12-DIM10

12" LINK CABLE  
\* SOLD SEPARATELY



#### SLG-LNK-60-DIM10

60" LINK CABLE  
\* SOLD SEPARATELY

#### SLG-HWC-120-DIM010

120" HARDWIRE CABLE

\* SOLD SEPARATELY  
\* 1 CABLE PER RUN REQUIRED. (48FT. MAX RUN)

