

RGB-DMX-DST-4CH-RJ45

4 CHANNEL RGBW DMX/ RDM DECODER

Project _____
Location _____
Quote/ Ref # _____

RGB-DMX-DST-4CH-RJ45 is a 4-channel output, DMX512 and RDM-compliant decoder. Designed for compatibility with RGBW systems, it supports 12V DC and 24V DC input for versatile use. The unit is DMX addressable, and includes RJ45 data ports for dependable connectivity. With integrated short-circuit, over-temperature, and overload protection with automatic recovery, it delivers safe and stable performance.



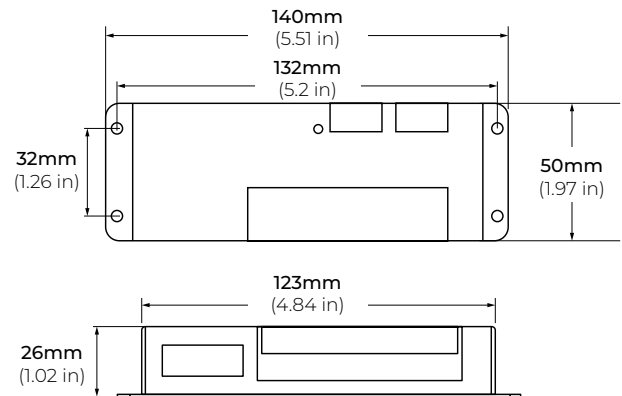
SPECIFICATIONS

INPUT VOLTAGE	12V - 24V DC
INPUT SIGNAL	DMX512/ RDM
OUTPUT VOLTAGE	12V - 24V
OUTPUT PWM CHANNELS	4
OUTPUT AMPS	8A per channel
OUTPUT WATTAGE	4 x (96W ~ 192W)
OPERATING TEMPERATURE	-4°F (-20°C) ~ 122°F (50°C)
DIMENSIONS	5.51" x 1.97" x 1.02" (LxWxH)
WEIGHT	0.53 lb

FEATURES

- DMX512/ RDM Decoder
- 4 channel output
- DMX512 compliant control interface
- Compatible with RGBW systems
- Compatible with 12V DC and 24V DC systems
- DMX addressable
- Overload Protection, Over-Temperature, Short-Circuit, and Auto Recovery
- RJ45 Data Ports

DIMENSIONS



MODEL	
RGB-DMX-DST-4CH	

RGB-DMX-DST-4CH-RJ45

4 CHANNEL RGBW DMX/RDM DECODER

WIRING



THIS PRODUCT IS ONLY TO BE INSTALLED BY A QUALIFIED TECHNICIAN IN ACCORDANCE WITH NATIONAL AND LOCAL ELECTRICAL CODES

BEFORE YOU BEGIN:

Make sure the controller has the proper voltage and wattage for the intended job. Make sure they match the diagram on this guide.

MOUNTING:

Select a suitable and proper location to mount the DMX decoder. Consider distance of the transformer and LED fixture from the controller to determine appropriate wire gauges.

SAFETY & WARNINGS:

- Install this product in accordance with local and national electrical codes
- This product is rated for indoor use. For outdoor applications, use wet rated enclosure.
- Make sure power from the main breaker is off before installing to avoid risk of electrical shock.

