

RGB CT-450 WiFi

RGB+W WiFi DMX CONTROLLER

The **RGB-CT450 WiFi** is a slim DMX512 wall controller featuring a sleek glass touch panel able to control multiple RGB and RGBW lighting zones. Its simple, modern design complements a wide range of architectural environments, while built-in WiFi connectivity allows seamless control via a dedicated app compatible with both iOS and Android devices.

Project _____

Location _____

Quote/ Ref # _____

SPECIFICATIONS

INPUT VOLTAGE	12-24V DC
OUTPUT SIGNAL	DMX512 + WiFi
POWER CONSUMPTION	< 20mA
CONTROL MODE	RGB and RGBW
FINISH	White and Black
ZONES	3-Zone Control
WIRELESS PROTOCOL	WiFi
OPERATING TEMPERATURE	32°F (0°C) ~ 104°F (40°C)
REMOTE DIMENSIONS	3 x 4.7 x 1.1" (LxWxH)

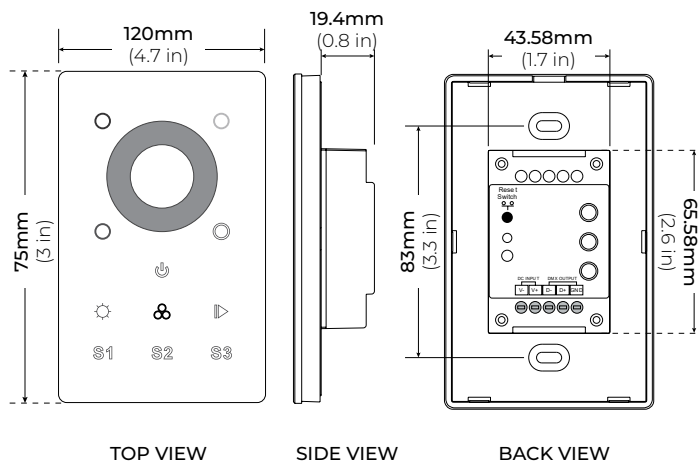
*Factory recommends pairing controller with RGB DMX-DST-4CH-RJ45 Decoder



FEATURES

- Sleek, slim and stylish glass face
- Multi-function RGB/ RGBW touch panel
- DMX512
- 12-24V DC

DIMENSIONS



DOWNLOAD THE APP



MODEL

RGB-CT450-WIFI