

# ALP-30C

## SURFACE / CORNER MOUNT LED PROFILE

Project \_\_\_\_\_  
Location \_\_\_\_\_  
Quote/ Ref # \_\_\_\_\_

The **ALP-30C** is an Architectural-grade LED extrusion designed for surface / corner mount applications and can fit linear LED strips up to 8mm (0.31") wide. Made from high quality aluminum and manufactured with a frosted diffuser for maximum lumen output and wider beam distribution.



### SPECIFICATIONS

TYPE	Surface/ Corner Mount
LED STRIP	Fits LED strips up to 8mm (0.31 in)
LENGTHS	49" and 98"
FINISH	Silver
LENS OPTIONS	Frosted
CHANNEL	ALP30C
END CAP	ALP30C-EC (sold separately)
MOUNTING CLIPS	ALP30C-CL (sold separately)

*\*LED strips sold separately*

*\*Factory pairing LED profile with LSM-35TN-5MM*

### FEATURES

- Customizable
- Compatible with LED strips up to 8mm (0.31 in) wide
- Durable, anodized aluminum
- Protects LED systems from dust and other elements
- Slim, low profile design
- Dissipates heat from LED, prolonging its lifetime



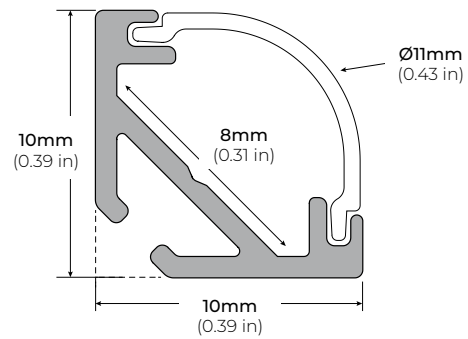
MODEL	LENGTH	FINISH
ALP30C	<b>49</b> 49 in.	<b>SI</b> Silver
	<b>98</b> 98 in.	<b>CU</b> Custom (powder-coat)

\* Custom color finishes require powder coating. Allow 7 days lead time.

# ALP-30C

## SURFACE / CORNER MOUNT LED PROFILE

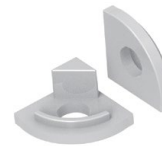
### DIMENSIONS



### ACCESSORIES

#### ALP30C-EC END CAP

\*Sold separately



#### ALP30C-CL MOUNTING CLIPS

\*Sold separately

