

# SLG-2000

## HIGH POWER INTERIOR LINEAR COVE

Project \_\_\_\_\_  
Location \_\_\_\_\_  
Quote/ Ref # \_\_\_\_\_

The **SLG-2000** linear cove / wall washer comes in high and standard outputs with multiple color temperature options. Its proprietary small, adjustable mounting and continuous run connectors make the SLG-2000 series suitable for any architectural, retail, hospitality and display applications.



### SPECIFICATIONS

OPERATING VOLTAGE	120V AC
OPERATING FREQUENCY	50 / 60 Hz
DRIVER	Internal / Built-in
POWER CONSUMPTION	11.7W (1ft)   45.2W (4ft)
DISTRIBUTION	120° x 120°
CRI	90+
COLOR TEMPERATURE	22K/ 24K/ 27K/ 30K/ 35K/ 40K/ 50K
DIMMING/ CONTROL	110~240V AC / ELV
LENS	Clear Polycarbonate
CONNECTORS	Integral Male / Female 3 pin
MAXIMUM RUN LENGTH	48ft
ENVIRONMENT	Indoor / Dry / Damp Location
OPERATING TEMPERATURE	14°F (-10°C) ~ 104°F (40°C)
STORAGE TEMPERATURE	40°F (-40°C) ~ 176°F (80°C)
MOUNTING OPTIONS	Adjustable 80° + 80°
CERTIFICATIONS	ETL, Conforms to UL STD 1598, Certified to CSA STD C2.2 NO.250.0-08

### FEATURES

- Up to 1100+ Lumens per foot
- Up to 90+ Lumens per Watt
- Proprietary Optical Technology
- ELV Dimming
- Small Profile Fixture
- Continuous Run Capability
- Proprietary Adjustable Mounting Bracket
- Facade Wall Washing
- Graze Lighting
- Signage

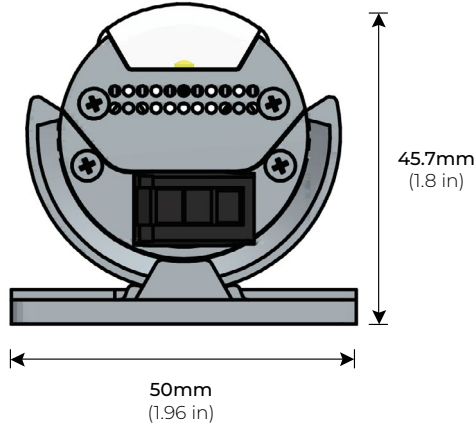


MODEL	LENGTH	COLOR TEMP	LENS	VOLTAGE	DIMMING
SLG	2012 12 In.	22K 2200K	CL Clear	120V 120V	ELV Electronic/TRIAC
		2048 48 In.	24K 2400K		
		27K 2700K			
		30K 3000K			
		35K 3500K			
		40K 4000K			
		50K 5000K			

# SLG-2000

## HIGH POWER INTERIOR LINEAR COVE

### DIMENSIONS



### LUMENS

MODEL	CCT	Lumen/ FT	EFFICACY (lm/W)
SLG-2000	2200K	1066	89.9
	2400K	1070	90.8
	2700K	1076	91.9
	3000K	1081	92.4
	3500K	1105	94.4
	4000K	1130	96.6
	5000K	1144	98.6

### COMPATIBLE ACCESSORIES

SLG-LNK-12  
12" LINK CABLE



SLG-LNK-60  
60" LINK CABLE



SLG-HWC-120  
120" HARDWIRE CABLE

