

# LUCA

## SUSPENDED LINEAR LED SYSTEM

Project \_\_\_\_\_

Location \_\_\_\_\_

Quote/ Ref # \_\_\_\_\_

**LUCA** is a versatile and efficient suspended linear LED lighting system available in different lengths and color temperatures. It features a unique design that allows it to swivel 360° to direct its light source in any chosen direction. Seamless and continuous run installations deliver efficient illumination.



### SPECIFICATIONS

TYPE	Suspended Mount
POWER CONSUMPTION	3W/ Ft.   5W/ Ft.   7W/ Ft.
INPUT VOLTAGE	24V
LUMEN OUTPUT	Up to 830 Lumens
CRI	90+
COLOR TEMPERATURE	27K / 30K / 35K / 40K
DIMMING	ELV, 0-10V and TRIAC
DRIVER	Remote
MAXIMUM RUN LENGTH	Linkable up to 20 Ft.
AVAILABLE LENGTHS	24 in./ 36 in./ 48 in./ 72 in.
LUMEN MAINTENANCE	50,000 Hrs.
CERTIFICATIONS	ETL Listed

### FEATURES

- Slim Profile, Modular Design
- Tight, Smooth fixture rotation for directional light aiming
- 360° Rotate
- Extruded Anodized Aluminum
- Exceptional light distribution and efficacy

### LUMENS

LIGHT OUTPUT	WATTS (W/FT.)	LM/ FT.
L2	3	307
L3	5	596
L4	7	830

\*Approved for closet / storage space installation per NEC 410.16(A)(3) and 410.16(C)(5)

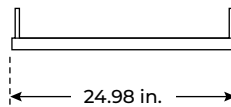
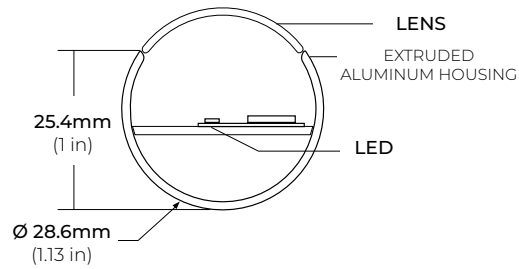


MODEL	LENGTH	OUTPUT	CCT	FINISH	LENS	SUSPENSION	POWER FEED	DRIVER	ACCESSORIES	
LUCA	<b>24</b> 24 in.	<b>L2</b> 3W	<b>27K</b> 2700K	<b>BA</b> Brushed Aluminum	<b>FR</b> Frosted	<b>CF5</b> 5 Ft. Suspension Cable	<u>5" Canopy</u> <b>RC5</b> Suspended End Power Feed	See pages 6-7 for compatible drivers	See page 5 for options	
	<b>36</b> 36 in.	<b>L3</b> 5W	<b>30K</b> 3000K	<b>BK</b> Black			<b>CF10</b> 10 Ft. Suspension Cable			<b>RC5-L</b> Suspended Side Power Feed Left
	<b>48</b> 48 in.	<b>L4</b> 7W	<b>35K</b> 3500K	<b>WH</b> White			<b>RC5-R</b> Suspended Side Power Feed Right			
	<b>72</b> 72 in.		<b>40K</b> 4000K				<u>2" Canopy</u> <b>RC2</b> Suspended End Power Feed			
							<b>RC2-L</b> Suspended Side Power Feed Left			
							<b>RC2-R</b> Suspended Side Power Feed Right			

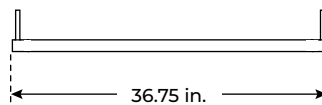
# LUCA

## SUSPENDED LINEAR LED SYSTEM

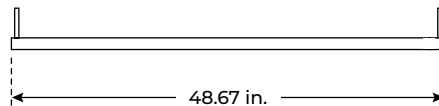
### DIMENSIONS



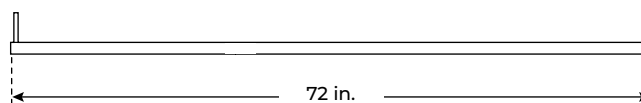
LUCA-24



LUCA-36



LUCA-48



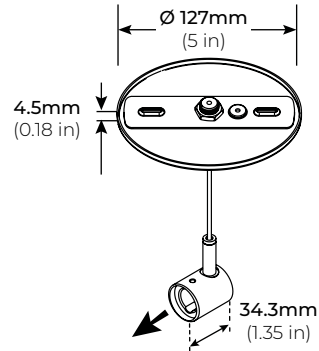
LUCA-72

## SUSPENDED LINEAR LED SYSTEM

### 5" CANOPY POWER FEED SUSPENSION KIT

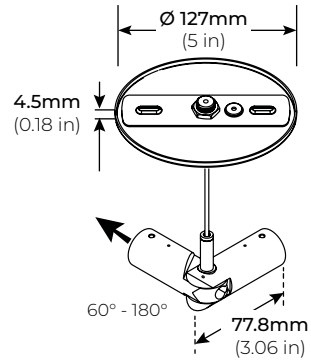
RC5  
SUSPENDED END POWER FEED KIT

\* 60" AIRCRAFT CABLE INCLUDED



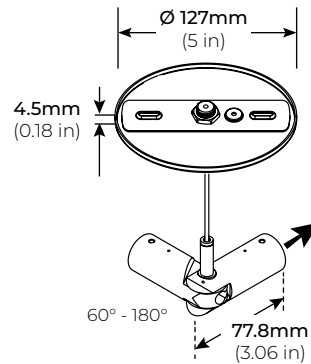
RC5-L  
SUSPENDED SIDE POWER FEED (LEFT) KIT

\* 60" AIRCRAFT CABLE INCLUDED



RC5-R  
SUSPENDED SIDE POWER FEED (RIGHT) KIT

\* 60" AIRCRAFT CABLE INCLUDED

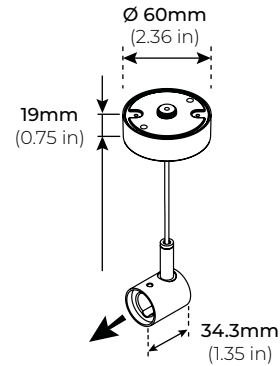


## SUSPENDED LINEAR LED SYSTEM

### 2" CANOPY POWER FEED SUSPENSION KIT

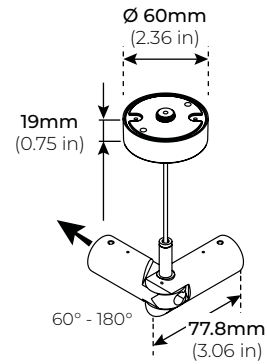
RC2  
SUSPENDED END POWER FEED KIT

\* 60" AIRCRAFT CABLE INCLUDED



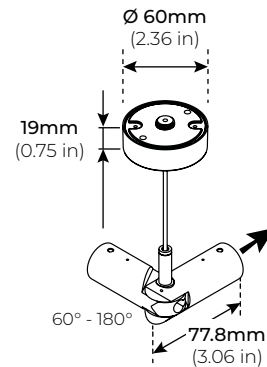
RC2-L  
SUSPENDED SIDE POWER FEED (LEFT) KIT

\* 60" AIRCRAFT CABLE INCLUDED



RC2-R  
SUSPENDED SIDE POWER FEED (RIGHT) KIT

\* 60" AIRCRAFT CABLE INCLUDED

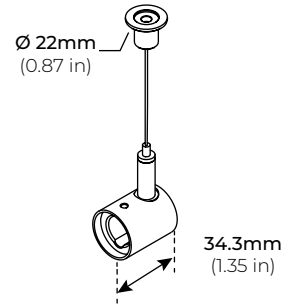


## SUSPENDED LINEAR LED SYSTEM

### COMPATIBLE ACCESSORIES

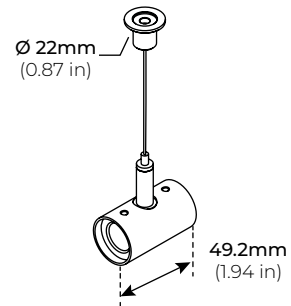
#### CSB SUSPENDED END SUPPORT

\* 60" AIRCRAFT CABLE INCLUDED



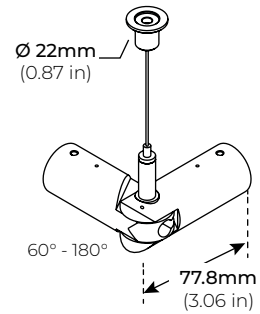
#### DHS SUSPENDED DOUBLE-END CONNECTOR

\* 60" AIRCRAFT CABLE INCLUDED



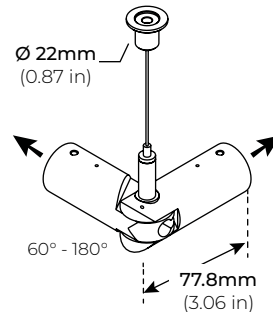
#### SAN SUSPENDED ANGLED CONNECTOR (NON-POWER)

\* 60" AIRCRAFT CABLE INCLUDED



#### SAP SUSPENDED ANGLED CONNECTOR (POWER)

\* 60" AIRCRAFT CABLE INCLUDED

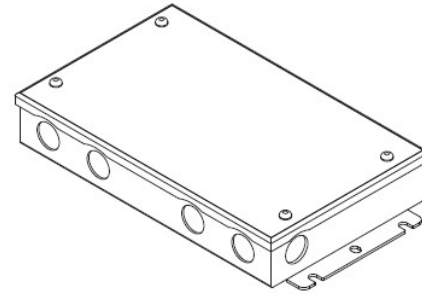


## SUSPENDED LINEAR LED SYSTEM

### COMPATIBLE TRANSFORMERS

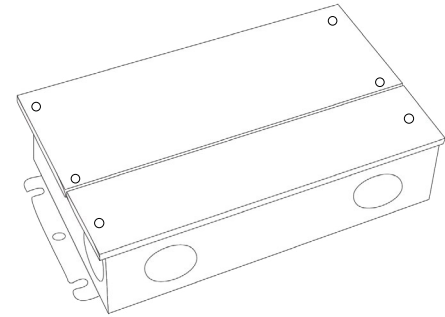
#### PSDL SERIES TRIAC DIMMABLE

PSDL-30W-24V	CLASS 2	6.5" X 3.63" X 1.03"
PSDL-60W-24V	CLASS 2	7.4" X 3.63" X 1.03"
PSDL-96W-24V	CLASS 2	8.67" X 3.67 X 1.62"
PSDL-150W-24V		8.67" X 3.67" X 1.62"
PSDL-192W-24V	CLASS 2	10.25" X 4.06" X 1.82"
PSDL-200W-24V		10.25" X 4.06" X 1.82"
PSDL-288W-24V	CLASS 2	10.25" X 4.06" X 1.82"
PSDL-300W-24V		10.25" X 4.06" X 1.82"



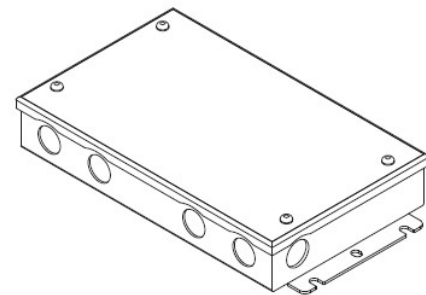
#### PSRX SERIES 4-IN-1 DIMMING DRIVER

PSRX-30W-24V	CLASS 2	6.5" X 3.72" X 1.57"
PSRX-60W-24V	CLASS 2	7.4" X 3.72" X 1.57"
PSRX-96W-24V	CLASS 2	8.66" X 3.72" X 1.57"
PSRX-150W-24V		10.24" X 4.13" X 1.77"
PSRX-192W-24V	CLASS 2	11" X 4" X 1.82"
PSRX-200W-24V		10.24" X 4.13" X 1.77"
PSRX-288W-24V	CLASS 2	11.85" X 4.25" X 1.82"
PSRX-300W-24V		10.94" X 4.33" X 1.77"



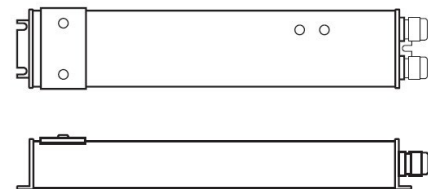
#### PSVT SERIES 0-10V DIMMING DRIVER

PSVT-60W-24V	CLASS 2	7.4" X 3.72" X 1.57"
PSVT-96W-24V	CLASS 2	8.66" X 3.72" X 1.57"
PSVT-200W-24V		10.24" X 4.13" X 1.77"
PSVT-288W-24V	CLASS 2	11.85" X 4.25" X 1.81"
PSVT-300W-24V		10.94" X 4.33" X 1.77"



#### PSDE SERIES 0-10V DIMMING W/ JUNCTION BOX

PSDE-60W-24V-010-JB	CLASS 2	12.1" X 2.36" X 1.4"
PSDE-96W-24V-010-JB	CLASS 2	12.1" X 2.36" X 1.4"

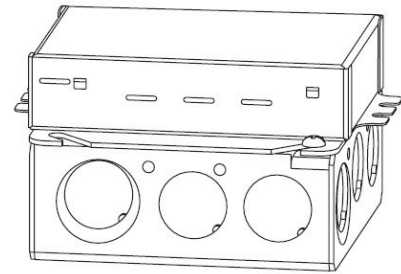


## SUSPENDED LINEAR LED SYSTEM

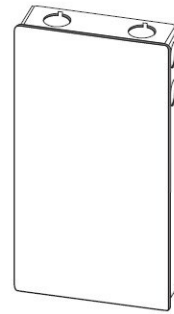
### COMPATIBLE TRANSFORMERS

LUTRON 1%  
3-WIRE DIMMING

L3DA4U1UKL-CV240      CLASS 2    4.89" X 4" X 2.62"



PSDE-96W-24V-ECO      CLASS 2    10.5" X 3.0" X 2.0"



### NON-DIMMING DRIVERS (COMPATABLE WITH ALL SYSTEMS)

PSHK SERIES  
NON-DIMMING CONSTANT VOLTAGE WITH JUNCTION BOX

PSHK-30W-24V	CLASS 2	6.5" X 3.6" X 1.02"
PSHK-60W-24V	CLASS 2	7.4" X 3.62" X 1.02"
PSHK-96W-24V	CLASS 2	8.66" X 3.66" X 1.61"
PSHK-150W-24V		10.24" X 4.06" X 1.81"
PSHK-200W-24V		10.24" X 4.06" X 1.81"
PSHK-288W-24V	CLASS 2	11.85" X 4.25" X 1.82"
PSHK-300W-24V		10.24" X 4.25" X 1.81"

