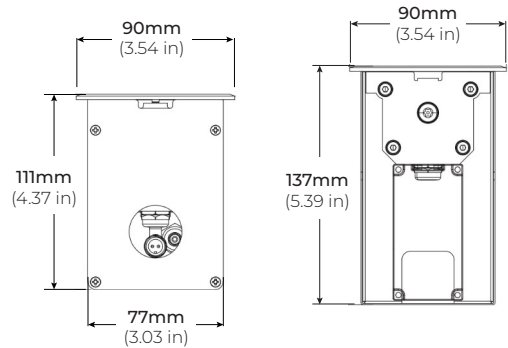


INSTALLATION GUIDE



DIMENSIONS



NON-DIMMING

0-10V DIMMING



PRE-INSTALLATION

In-Ground

Disconnect power source prior to installation.

- Factory recommends setting up a drainage pipe or other drainage facility to prevent water from accumulating around the light fixture.
- Factory recommends providing a gravel bed (20cm thick) beneath the casing to prevent corrosion
- Install when weather is dry.

SAFETY

Read all instructions before installation.

These products may represent a possible shock or fire hazard if improperly installed.

Do not look directly into light.

- ⚠ Product should be installed by a qualified electrician.
- ⚠ Product should be installed in accordance with these instructions and current electrical codes.

INSTALLATION

STEP 1

Based on the length of the light fixture, cut a groove into the designated installation surface. (Figure 1)

*Refer to dimensions above for height measurement

STEP 2

Loosen the screws on the top of the fixture and remove the light fixture from the housing. Feed the power cable through the housing and insert the housing into the prepared groove. (Figure 2)

*Make sure the sleeve fits flush to the concrete or gravel.

STEP 3

Connect the light fixture and power cable. Secure the connection with outdoor waterproof tape. (Figure 3)
*For further protection, add a layer of electrical tape on top of the outdoor waterproof tape.

STEP 4

Insert the fixture into the housing sleeve and press down on both ends of the fixture until the spring clips lock it into place. (Figure 4)

STEP 5

Tighten the panel screws to secure the fixture in place and adjust the beam direction. (Figure 4)

