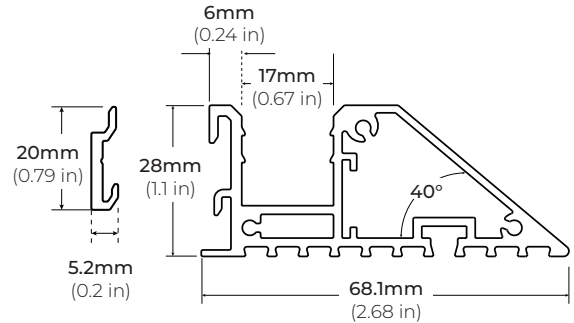


INSTALLATION GUIDE



DIMENSIONS



PRE-INSTALLATION

Trimless Mount

Disconnect power source prior to installation.

SAFETY

Read all instructions before installation.

These products may represent a possible shock or fire hazard if improperly installed.

This fixture is only suitable for indoor installation.



Product should be installed by a qualified electrician.



Product should be installed in accordance with these instructions and current electrical codes.

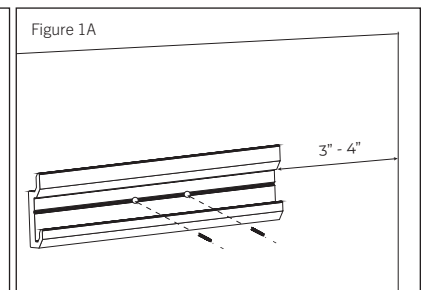
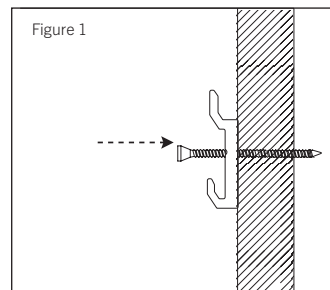
INSTALLATION

STEP 1

Secure the mounting bracket onto installation surface with screws. Make sure bracket is level to wall surface for the whole run length. (Figure 1)

* If using corner pieces:

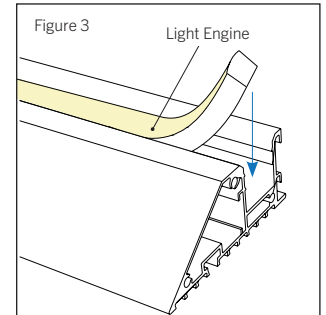
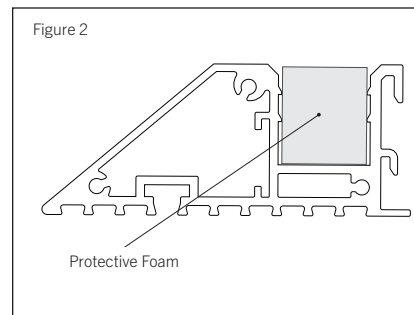
Mount wall brackets 3-4" away from corner of mounting surface to accommodate the lengths of the corner pieces, for a seamless effect. (Figure 1A)



STEP 2

Remove the protective foam from the profile channel. (Figure 2)

Insert the fixture light engine by carefully pushing it into place along the way. (Figure 3)



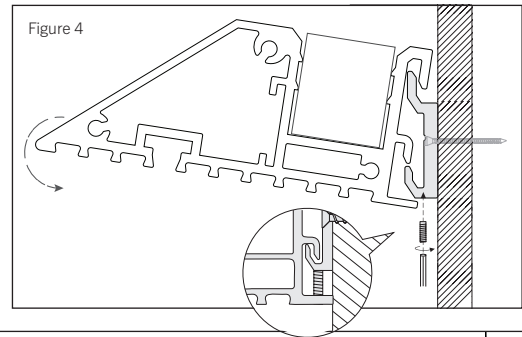
STEP 3

Drill a hole into either the left or right end cap to create an exit hole for the powerfeed wire.

INSTALLATION

STEP 4

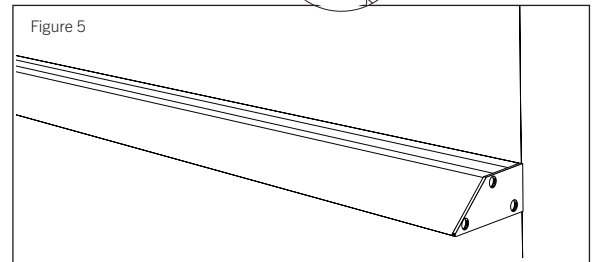
Align fixture to wall bracket, and insert at an angle to allow the fixture to fix on to wall bracket's upper slot. Rotate fixture downward, snapping it into place. Using the provided hex screw, secure the fixture onto wall mounting bracket. (Figure 4)



STEP 5

Install the end caps at the ends of the fixture, making sure to feed the LED powerfeed through the end cap with a hole. (Figure 5)

Secure in place with the provided screws.



STEP 6

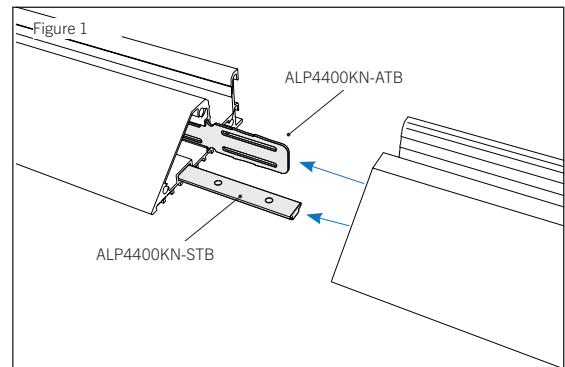
Wire as needed.

CONNECTING CHANNELS

ALP4400KN-STB | ALP4400KN-ATB

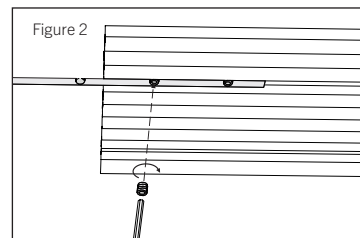
STEP 1

Slide the straight alignment bracket (ALP4400KN-ATB) into the interior slot and the straight connector (ALP4400KN-STB) along the bottom slot of the profile. (Figure 1)



STEP 2

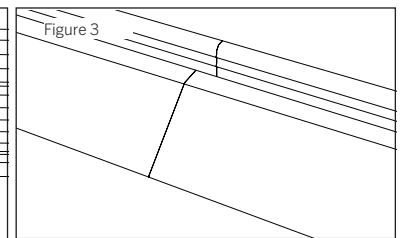
Secure the straight connector in place with the provided hex screws. (Figure 2)



STEP 3

Slide the exposed half of the straight connector and alignment bracket into the connecting profile. (Figure 3)

Secure in place with the provided screws. (Figure 4)



STEP 4

Secure the profile end caps in place with the provided screws.

