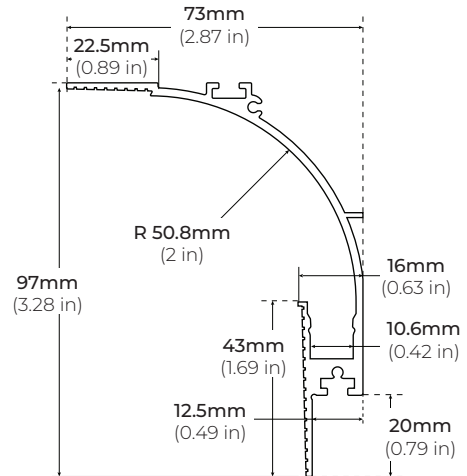


INSTALLATION GUIDE

DIMENSIONS



PRE-INSTALLATION

Trimless Mount

Disconnect power source prior to installation.

SAFETY

Read all instructions before installation.

These products may represent a possible shock or fire hazard if improperly installed.

Do not look directly into light.

This fixture is only suitable for indoor installation.



Product should be installed by a qualified electrician.

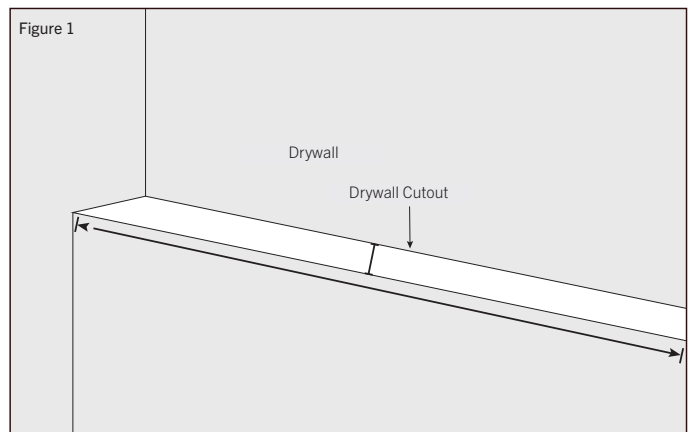


Product should be installed in accordance with these instructions and current electrical codes.

INSTALLATION

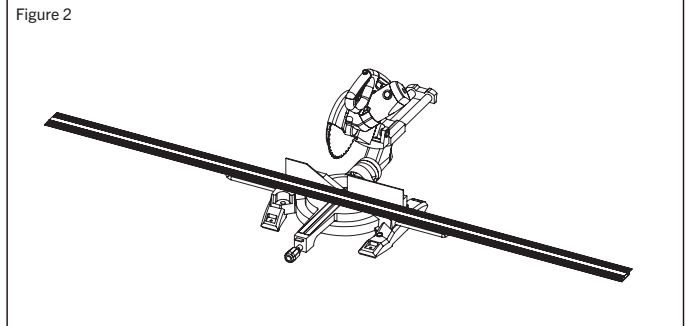
STEP 1

Measure and mark the drywall where the channel will be mounted. (Figure 1)



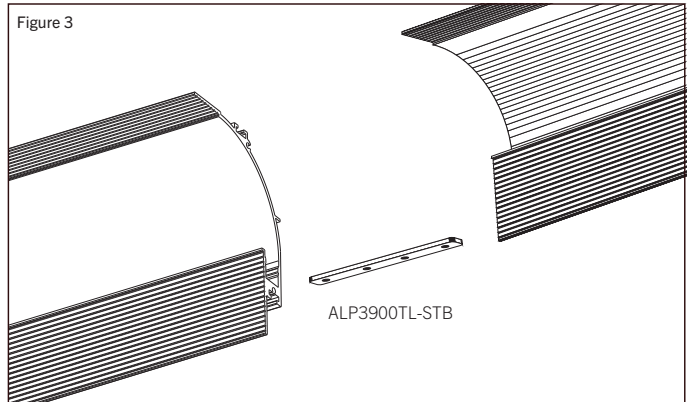
INSTALLATION (CONT.)

STEP 2 Cut channel to desired length. (Figure 2)



STEP 3 Use ALP3900TL-STB to connect multiple channels if applicable. (Figure 3)

* If installing along a corner, connect one of the channels to ALP3900TL-L90 or ALP3900TL-L90W before connecting the other channel.

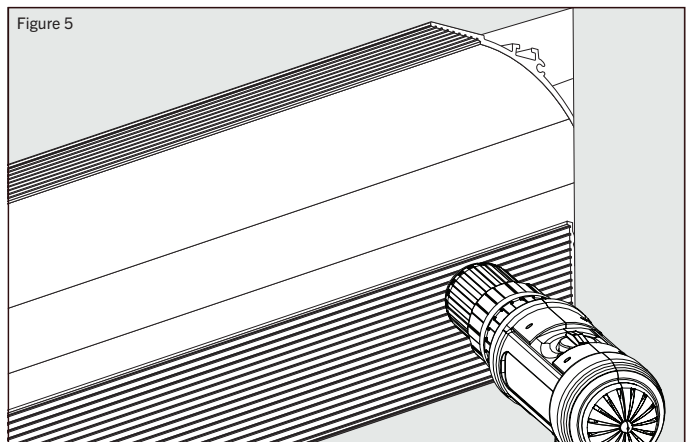
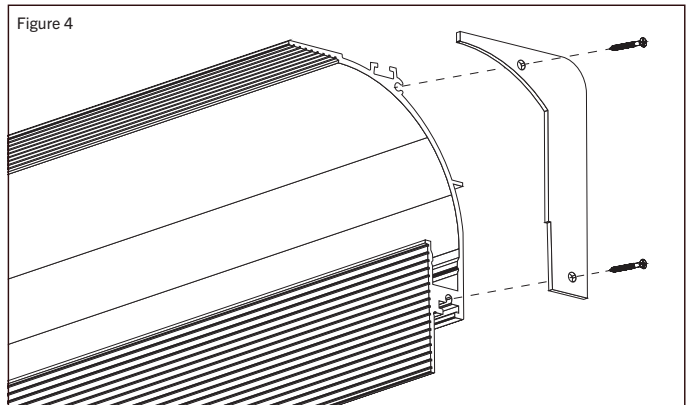


STEP 4 Attach the end caps. (Figure 4)

Mount/ Install ALP-3900TL profile into the drywall. Drill and countersink channel with screws. (Figure 5)

STEP 5 * Make sure all screw heads are flush with the channel surface.

*To prevent damage to the channel, factory recommends only drilling into the flange. **DO NOT** drill into the center of the channel.



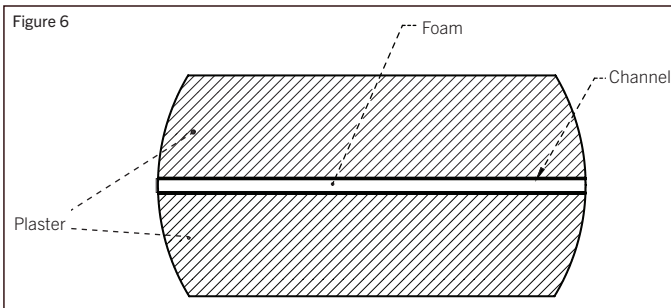
INSTALLATION (CONT.)

STEP 5

Before applying plaster to the edges, use drywall tape along the edges to avoid the plaster from cracking after installation. (Figure 5)

Apply plaster to the edges and finish with sand and paint.

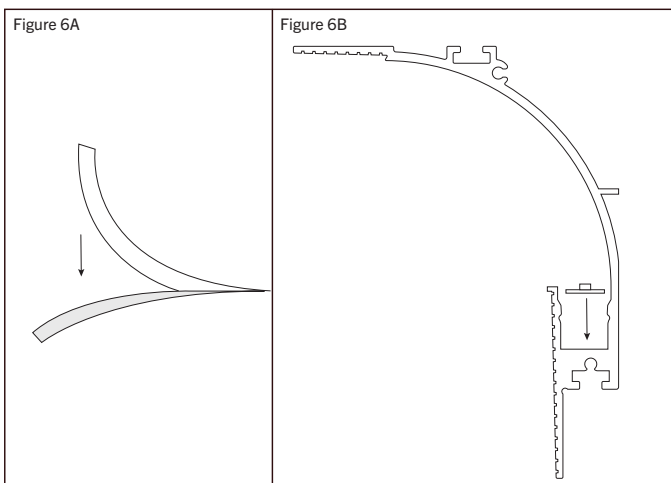
* Make sure that the drywall tapes do not overlap.



STEP 6

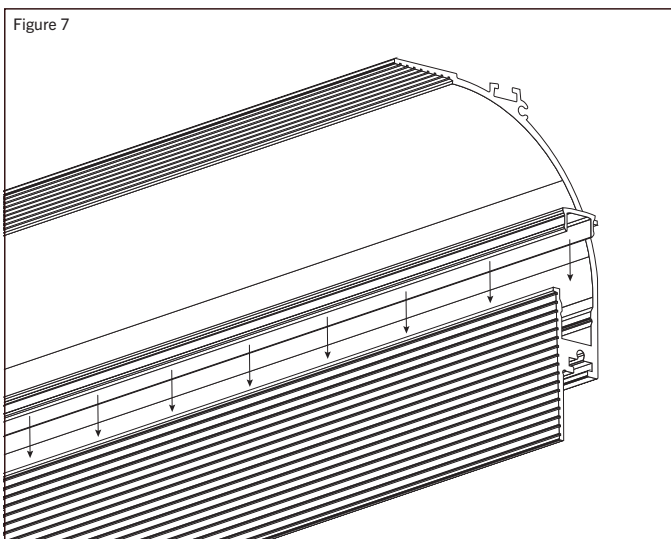
Peel the adhesive backing of the LED strip and install onto the channel on the parts illustrated in the illustration. (Figure 6A)

Make sure that the LED strip is laid evenly flat on the channel. This will avoid having any dark spots once lit up. (Figure 6B)



STEP 7

Push the diffuser cover in place. (Figure 7)



STEP 8

Wire as needed.