

# ALP-2820TL

## TRIMLESS CORNER LED PROFILE

Project \_\_\_\_\_

Location \_\_\_\_\_

Quote/ Ref # \_\_\_\_\_

The **ALP-2820TL** is an architectural-grade, trimless LED extrusion profile engineered for recessed corner installations that require clean, modern lines of light. Constructed from high-quality extruded aluminum, it accommodates LED tape lights up to 38mm (1.5") wide and delivers excellent thermal management for higher-wattage systems—helping extend overall LED lifespan.



### SPECIFICATIONS

TYPE	Recessed   Trimless
AVAILABLE LENGTHS	48 in.   96 in.
FINISH	White
LENS OPTION	Frosted
APERTURE	1.5 in.
TRANSFORMER	Remote
CHANNEL	ALP2820TL
LENS	ALP2820TL-LN (included)
END CAP	ALP2820TL-EC (sold separately)
STRAIGHT CONNECTOR	ALP2000TL-STB
INTERNAL CONNECTOR	ALP2000TL-INB

### FEATURES

- Compatible with LED strips up to 38mm (1.5 in) wide
- 1.6" Aperture
- Field cuttable
- Durable, anodized aluminum
- Protects LEDs from dust and other elements
- Dissipates heat from LED, prolonging its lifetime

\*LED strips sold separately

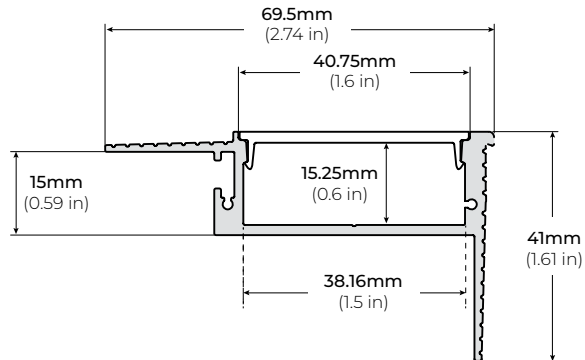


MODEL	LENGTH	LENS	FINISH
ALP2820TL	<b>48</b> 48 in.	<b>FR</b> Frosted	<b>WH</b> White
	<b>96</b> 96 in.		

# ALP-2820TL

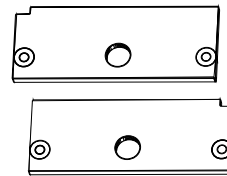
## TRIMLESS CORNER LED PROFILE

### DIMENSIONS

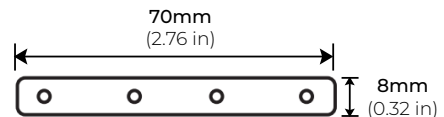


### ACCESSORIES

**ALP2820TL-EC**  
END CAP  
\*SOLD SEPARATELY



**ALP2000TL-STB**  
STRAIGHT CONNECTOR  
\*SOLD SEPARATELY



**ALP2000TL-INB**  
INTERNAL CONNECTOR  
\*SOLD SEPARATELY

