

ALP-2810TL

TRIMLESS CORNER LED PROFILE

Project _____

Location _____

Quote/ Ref # _____

The **ALP-2810TL** is an architectural-grade, trimless LED extrusion profile engineered for recessed corner installations that require clean, modern lines of light. Constructed from high-quality extruded aluminum, it accommodates LED tape lights up to 38mm (1.5") wide and delivers excellent thermal management for higher-wattage systems—helping extend overall LED lifespan.



SPECIFICATIONS

TYPE	Recessed Trimless
AVAILABLE LENGTHS	48 in. 96 in.
FINISH	White
LENS OPTION	Frosted
APERTURE	1.5 in.
TRANSFORMER	Remote
CHANNEL	ALP2810TL
LENS	ALP2810TL-LN (included)
END CAP	ALP2810TL-EC (sold separately)
STRAIGHT CONNECTOR	ALP2000TL-STB
INTERNAL CONNECTOR	ALP2000TL-INB

FEATURES

- Compatible with LED strips up to 38mm (1.5 in) wide
- 1.6" Aperture
- Field cuttable
- Durable, anodized aluminum
- Protects LEDs from dust and other elements
- Dissipates heat from LED, prolonging its lifetime

*LED strips sold separately

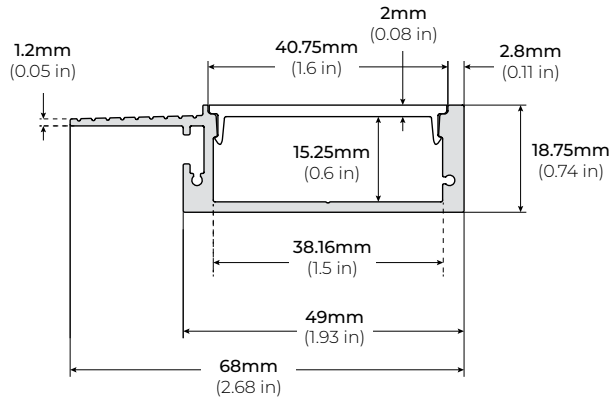


MODEL	LENGTH	LENS	FINISH
ALP2810TL	48 48 in.	FR Frosted	WH White
	96 96 in.		

ALP-2810TL

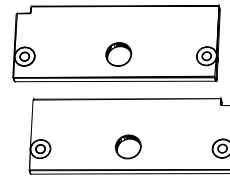
TRIMLESS CORNER LED PROFILE

DIMENSIONS

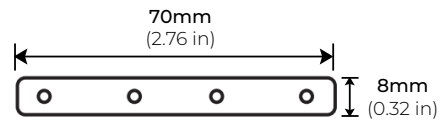


ACCESSORIES

ALP2810TL-EC
END CAP
*SOLD SEPARATELY



ALP2000TL-STB
STRAIGHT CONNECTOR
*SOLD SEPARATELY



ALP2000TL-INB
INTERNAL CONNECTOR
*SOLD SEPARATELY

