

ALP-160

SURFACE / SUSPENSION MOUNT LED PROFILE

Project _____

Location _____

Quote/ Ref # _____

The **ALP-160** is an architectural grade LED extrusion profile designed for linear LED strips up to 38mm (1.5") wide. Made from high quality aluminum, these extrusions provide superior thermal management for higher wattage LED strips and prolong the overall lifetime of your lighting system. The ALP-160 is manufactured with a patented frosted diffuser for maximum lumen output and wide beam distribution. The ALP-160 also helps protect LED's from dust and other undesirable elements, which can shorten the lifetime of the LED.



SPECIFICATIONS

| | |
|-------------------|-------------------------|
| TYPE | Surface/Suspended Mount |
| AVAILABLE LENGTHS | 49.25 in. / 98.5 in. |
| FINISH | White / Black / Silver |
| LENS OPTION | Frosted (Included) |
| CHANNEL | ALP-160 |
| LENS | ALP160-LN (Frosted) |
| END CAP | ALP160-EC (Included) |
| SUSPENSION KIT | ALP-CS12 |
| CANOPY KIT | ALP-CFH |
| WARRANTY | 5 Years |

FEATURES

- Customizable
- Compatible with 38mm (1.5") wide LED strips
- Durable, military-grade aluminum
- Frosted lens diffuser included
- Protects LED systems from dust and other elements
- Dissipates heat from LED, prolonging its lifetime

* 2 END CAPS INCLUDED WITH EVERY CHANNEL



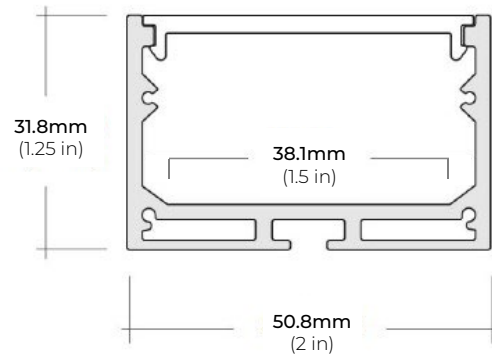
| MODEL | LENGTH | LENS | FINISH |
|---------|------------------------|---------------------------|--------------------------------------|
| ALP-160 | 49 49.25 in. | FR Frosted Lens | BK Black |
| | 98 98.5 in. | | WH White |
| | | | SI Silver |
| | | | CU Custom (Powder Coat) |

* Custom color finishes require powder coating. Allow 7 days lead time.

ALP-160

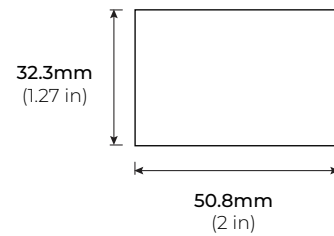
SURFACE / SUSPENSION MOUNT LED PROFILE

DIMENSIONS



COMPATIBLE ACCESSORIES

ALP160-EC
END CAP
* Set of 2
* INCLUDED



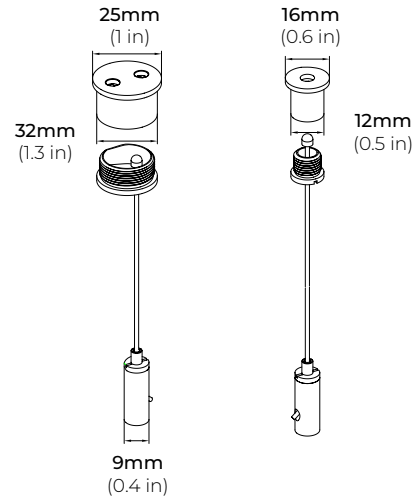
ALP-160

SURFACE / SUSPENSION MOUNT LED PROFILE

MOUNTING ACCESSORIES

ALP-CS12 EUROPEAN SUSPENSION KIT

*SOLD SEPARATELY



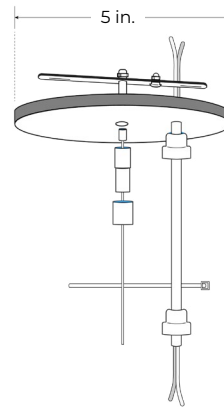
SUSPENSION KIT ACCESSORIES

POWER FEED KIT

ALP-CF-WH
WHITE POWER FEED KIT

ALP-CF-BK
BLACK POWER FEED KIT

* INCLUDED WITH ALP-CS12 MOUNTING OPTION

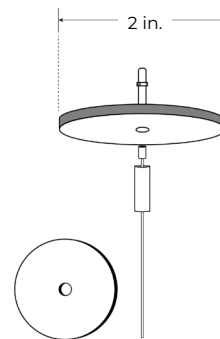


2" NON-POWER FEED KIT

ALP-CSB-WH-2
2" WHITE FEED KIT

ALP-CSB-BK-2
2" BLACK FEED KIT

* INCLUDED WITH ALP-CS12 MOUNTING OPTION



5" NON-POWER FEED KIT

ALP-CSB-WH-5
5" WHITE FEED KIT

ALP-CSB-BK-5
5" BLACK FEED KIT

