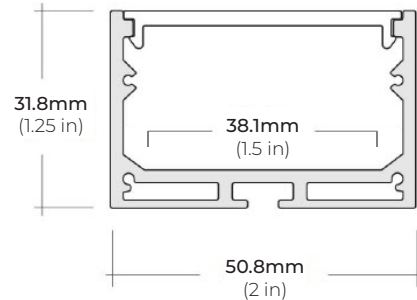


INSTALLATION GUIDE



DIMENSIONS



PRE-INSTALLATION

Suspended Mount

Disconnect power source prior to installation.

* For profiles 6-8 Ft. in length, factory suggests placing the suspension mounting screws at least 1/3 from the outside of the profile to avoid sagging. (EX. 8 Ft. Profile — Screws should be mounted 32" from each side)

SAFETY

Read all instructions before installation.

These products may represent a possible shock or fire hazard if improperly installed.

Do not look directly into light.

This fixture is only suitable for indoor installation.



Product should be installed by a qualified electrician.



Product should be installed in accordance with these instructions and current electrical codes.

INSTALLATION

- STEP 1 Wire wall switch to driver and junction box.
Run main power wire through ceiling. (Figure 1)
- STEP 2 Drill a hole in channel for main power wire and a hole in the ceiling to mount. (Figure 2A)
- STEP 3 Mount LED tape to channel and feed wire through previously drilled hole. (Figure 2B)
Connect supply wire to main power.
- STEP 4 Snap lens in place.
- STEP 5 Slide mounting screw along the channel to desired position and tightly twist cable attachment to mounting screw. (Figure 3)
**If using a straight connector, slide into raceway on top of channel to ensure proper alignment and connect to next channel.*
- STEP 6 Screw end caps to channel. (Figure 4)

