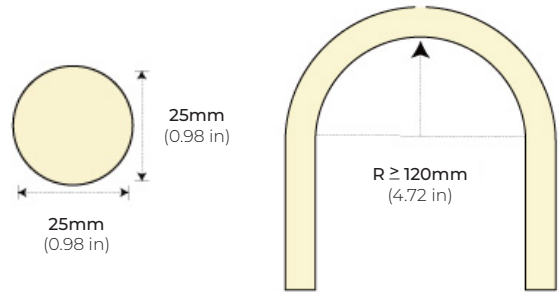


INSTALLATION GUIDE

DIMENSIONS



PRE-INSTALLATION

Surface/ Suspended Mount

Power input is 24V/ 48V. Confirm the source voltage is compatible.

* 48V not available for Slinq RGB or Slinq Rigid

Disconnect power source prior to installation.





SAFETY

Read all instructions before installation.

These products may represent a possible shock or fire hazard if improperly installed.

Do not look directly into light.

Do not submerge in water.

-  Product should be installed by a qualified electrician.
-  Product should be installed in accordance with these instructions and current electrical codes.
-  Must be installed with CORE Lighting Drivers
-  Product is 24V/ 48V. Do not connect to 120V power source.

VISIBLE MOUNTING CLIP INSTALLATION

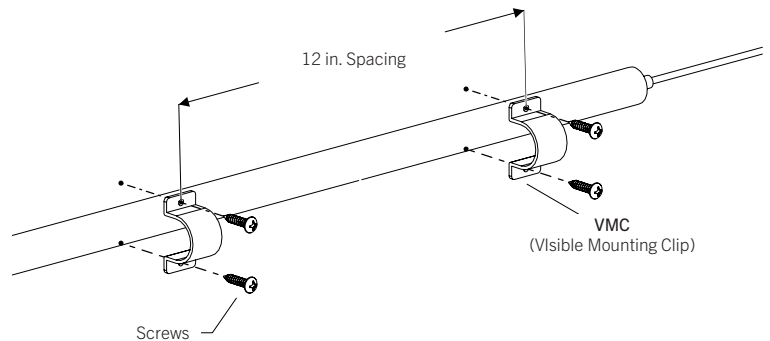
SLQ25-VMC

STEP 1 Position the Slinq against the mounting surface. Align to the mounting clips 12 inches apart.

STEP 2 Using the appropriate screws, secure the clips in place.

STEP 3 Repeat steps 1 and 2 the entire length of the fixture.

STEP 4 Connect the power feed to the power supply.



DISCREET MOUNTING BRACKET INSTALLATION

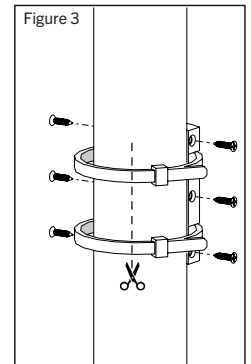
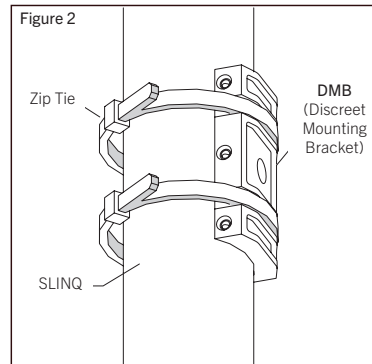
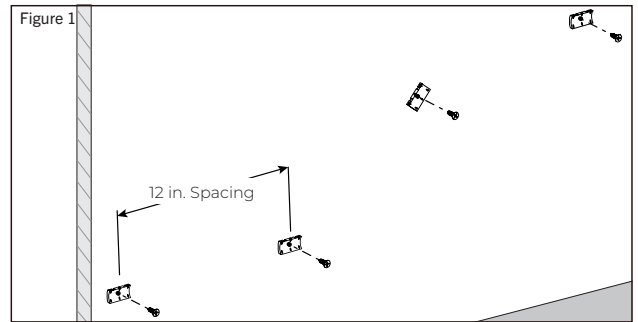
SLQ25-DMB

STEP 1 Position the mounting brackets against the mounting surface and secure in place with the appropriate screws. *(Figure 1)*
**Factory recommends positioning each bracket at least 12 inches apart.*

STEP 2 Align and press the fixture into the brackets one at a time. Temporarily secure in place with a zip tie. *(Figure 2)*

STEP 3 Secure the fixture to the mounting bracket using six screws per mounting bracket.
Cut off the zip ties and repeat steps 1 through 3 down the entire length of the fixture. *(Figure 3)*

STEP 4 Connect the power feed to the power supply.



ARCH INSTALLATION

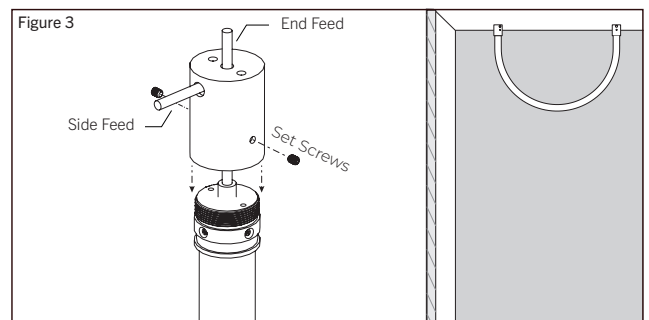
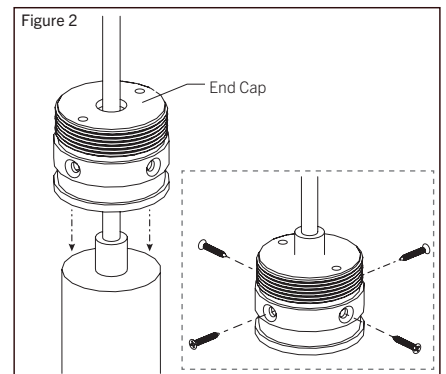
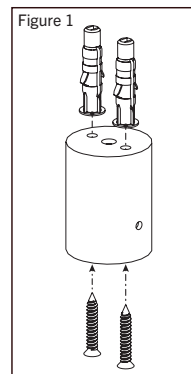
SLQ25-AR

STEP 1 Determine the location of the mounting cap hanger and secure to the mounting surface with appropriate screws. *(Figure 1)*
Repeat step for the other end.

STEP 2 Feed the lead wire through the end cap and secure the fixture in place with screws. *(Figure 2)*
Repeat for the other end.

STEP 3 Feed the lead wire through the top or side hole of the hanger. Secure the hanger to the endcap using set screws. *(Figure 3)*

STEP 4 Connect the power feed to the power supply.



SUSPENSION CABLE SUPPORT INSTALLATION
SLQ25-SCS

- STEP 1 Unscrew the gripper from the hanger. *(Figure 1)*

- STEP 2 Mark the mounting surface and drill a 6mm hole for each mounting screw. *(Figure 2)*
It is recommended that each mounting point is atleast 29.5" apart from eachother. *(Figure 2A)*

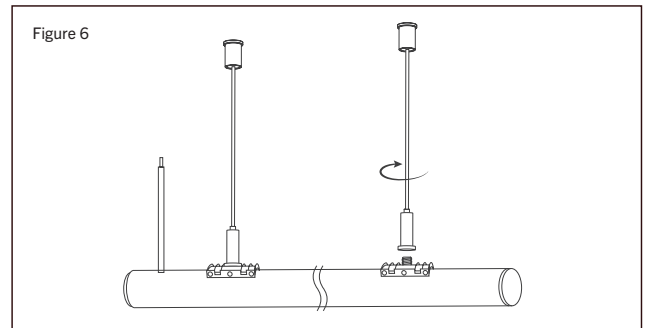
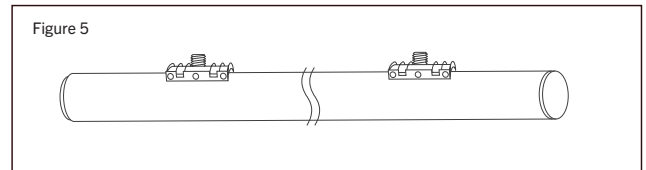
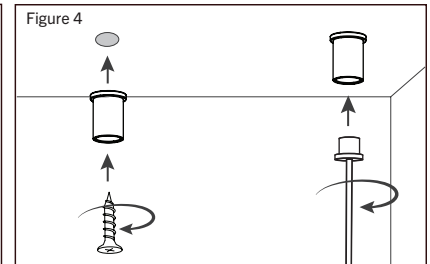
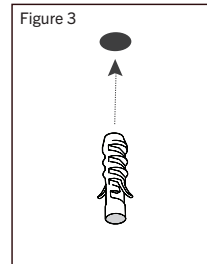
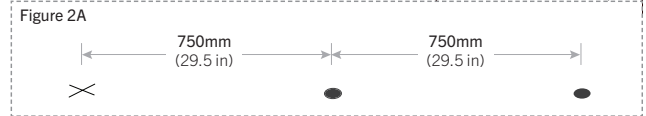
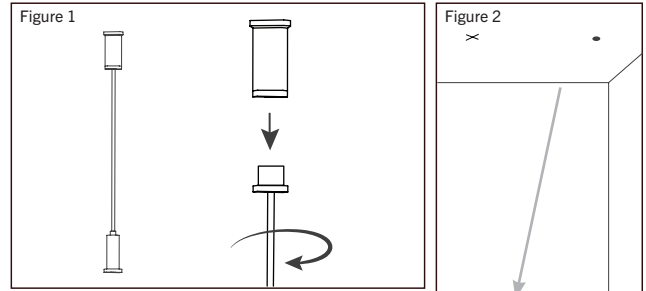
- STEP 3 Push rubber screw plugs into the drilled holes. *(Figure 3)*

- STEP 4 Secure the hanger to the mounting surface using the appropriate screws. Screw the cable gripper into the hanger. *(Figure 4)*

- STEP 5 Slide the SLQ-25 into the clear tube. *(Figure 5)*
Repeat for each mounting point.

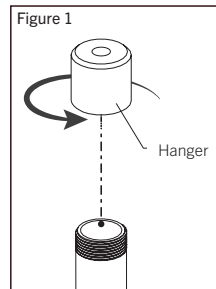
- STEP 6 Screw cable onto mounting clip *(Figure 6)*

- STEP 7 Connect the power feed to the main power supply.

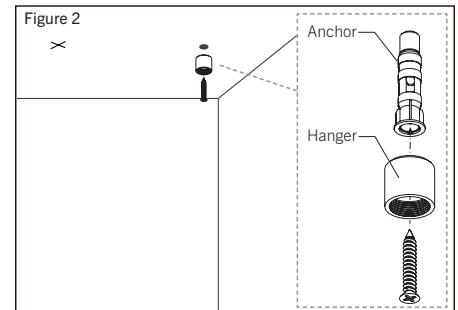


TELESCOPIC EXTENSION SUPPORT INSTALLATION
SLQ25-TES

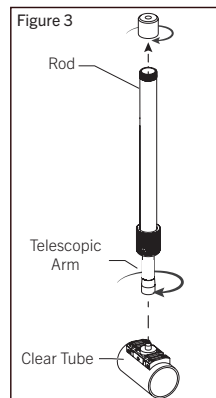
STEP 1 Unscrew the upper hanger. (Figure 1)



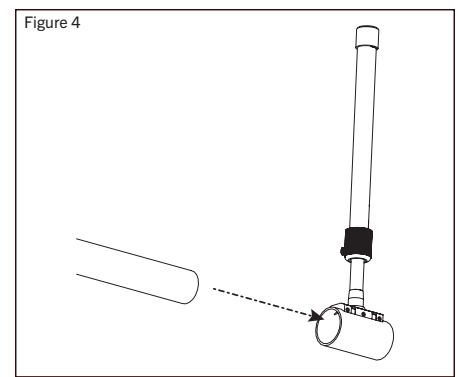
STEP 2 Drill a hole in the mounting surface and secure the hanger using the appropriate screws. (Figure 2)
**Drywall installation shown*



STEP 3 Attach the clear tube to the bottom of the rod and screw onto the hanger. (Figure 3)

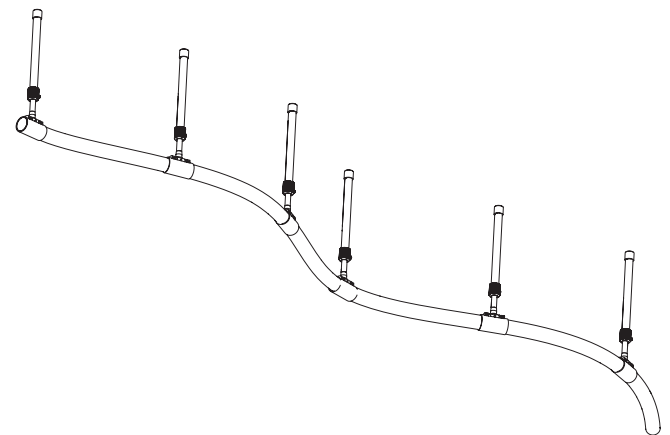


STEP 4 Set the telescopic arm to the desired length and orient the clear tube to the desired angle. Lock the position with a screw.



STEP 5 Slide the Slinq into the clear tube. (Figure 4)

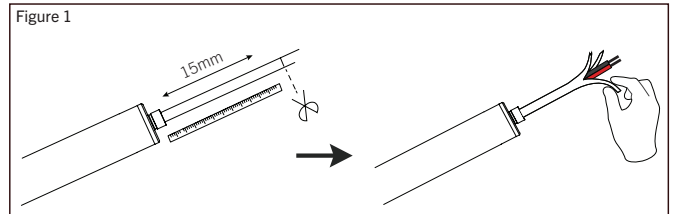
STEP 6 Connect the power feed to the main power supply.



VERTICAL PENDANT INSTALLATION
SLQ25-SUP

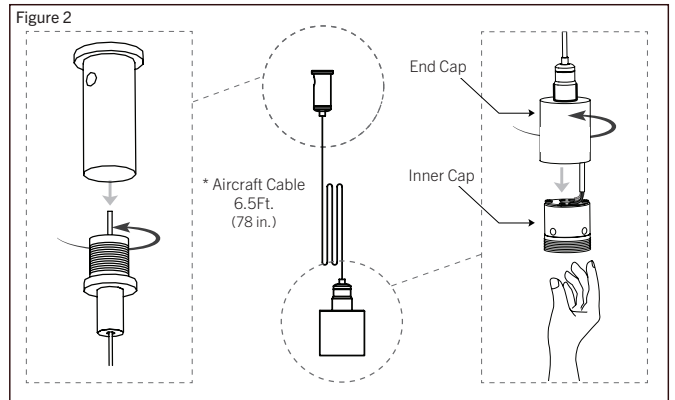
STEP 1

Using a pair of scissors, carefully strip back the sleeve of the powerfeed to expose the raw wires. Make sure to leave 15mm (0.59") still covered by the protective sleeve. (Figure 1)



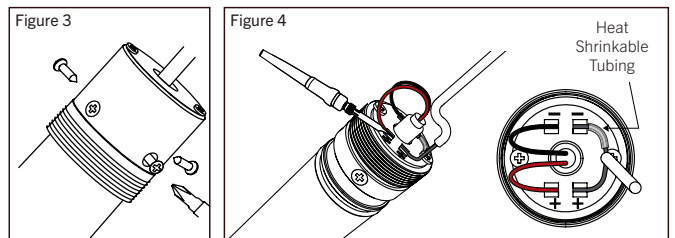
STEP 2

Disassemble the main hanger and end cap. (Figure 2)



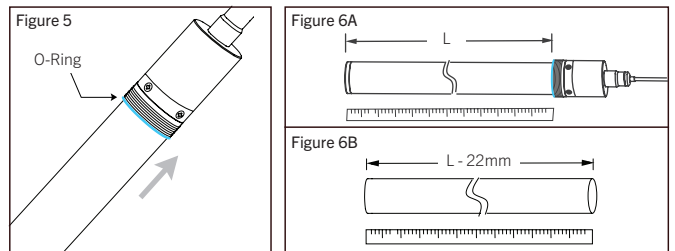
STEP 3

Slide the Sling fixture into the inner cap, feeding the exposed end feed wires through the top. Secure in place with countersink screws. (Figure 3)



STEP 5

Starting from the bottom, slide the O-ring up the Sling fixture until it sits at the base of the inner cap threading. (Figure 5)

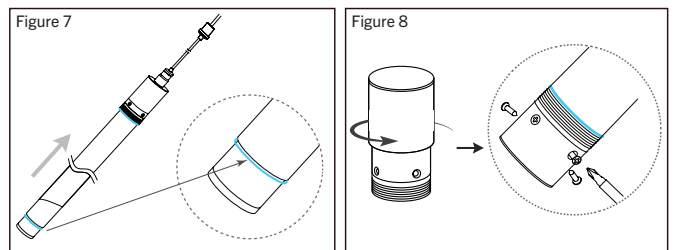


STEP 6

Measure your remaining length of neon after the inner cap installation. **Do not measure the total length of the neon.** (Figure 6A)
Measure the length of the clear PC tube. (Figure 6B)
* Final Length = PC Tube Length - 22mm

STEP 7

Using a cutting machine, cut the PC Tube to the measured length from step 6.

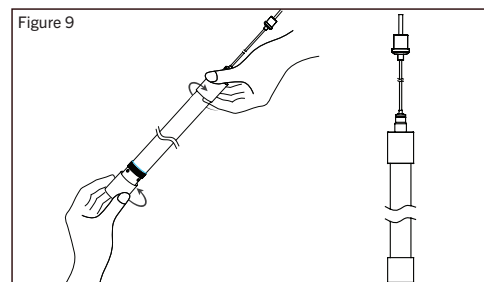


STEP 8

Starting from the bottom, slide the PC tube over the Sling neon and attach an O-ring at the bottom to secure in place. (Figure 7)

STEP 9

Unscrew the bottom inner cap from the second end cap and slide onto the bottom of the neon. Secure in place with countersink screws. (Figure 8)

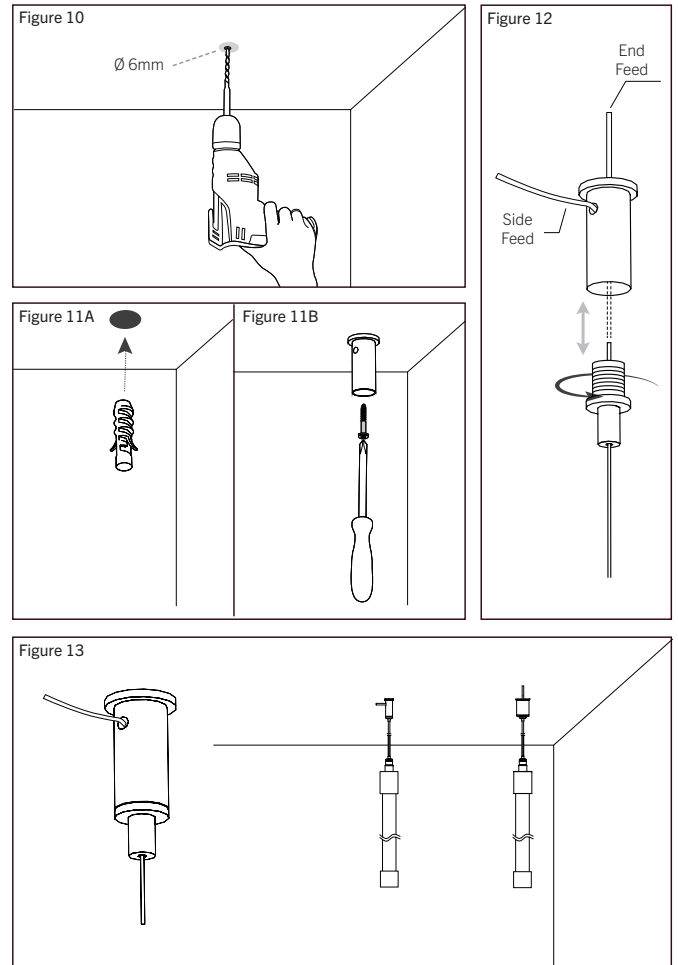


STEP 10

Twist on the outside end caps; covering the inner caps on both ends. (Figure 9)

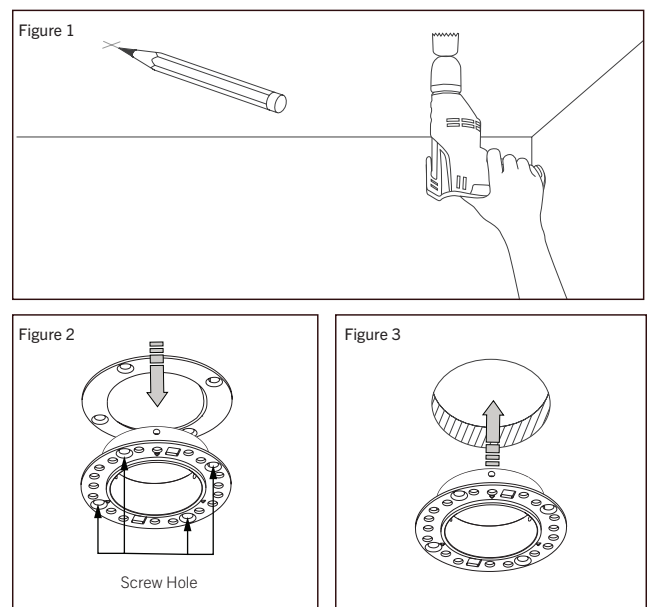
VERTICAL PENDANT INSTALLATION (CONT.)
SLQ25-SUP

- STEP 11** Determine the location of the mounting hanger and drill a 0.24" (6mm) round hole. (Figure 10)
- STEP 12** Push a rubber screw plug into the drilled hole. (Figure 11A)
Secure hanger in place with the appropriate screw. (Figure 11B)
- STEP 13** Feed the aircraft cable through the top or side of the mounting cap hanger and reassemble. (Figure 12)
** Aircraft cable length can be adjusted.*
- STEP 14** Connect the aircraft cable wire to the power supply. (Figure 13)



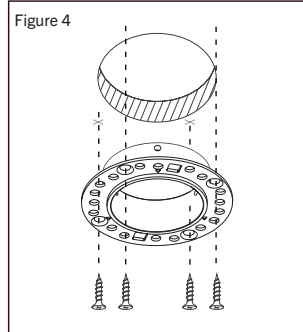
RECESSED MOUNT INSTALLATION
SLQ25-RSM

- STEP 1** Draw positioning lines on the ceiling according to the actual requirements, and drill holes on them. (Figure 1)
- STEP 2** Prepare the embedded accessories according to the mounting hole, with gasket holes aligned with the screw holes of the accessory for mounting. (Figure 2)
- STEP 3** Insert the fittings into the ceiling openings. (Figure 3)

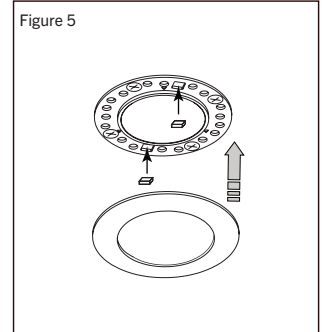


RECESSED MOUNT INSTALLATION (CONT.)
SLQ25-RSM

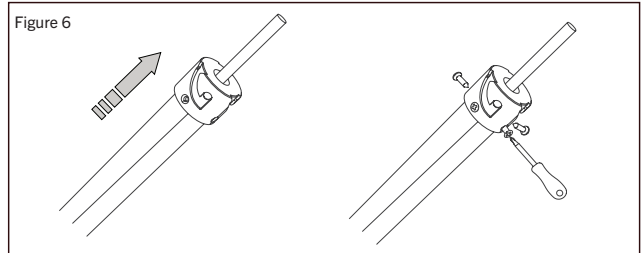
STEP 4 Secure the fittings to the ceiling opening with 4 self-tapping screws. (Figure 4)



STEP 5 Fit the magnet into the square slot and close the cover. (Figure 5)
*Complete the same steps for the other insert hole.

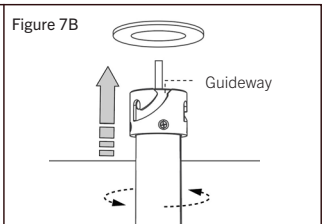
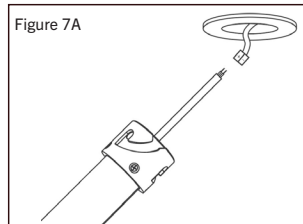


STEP 6 Insert the fixture into the embedded accessory, and screw the accessory to the fixture. (Figure 6)

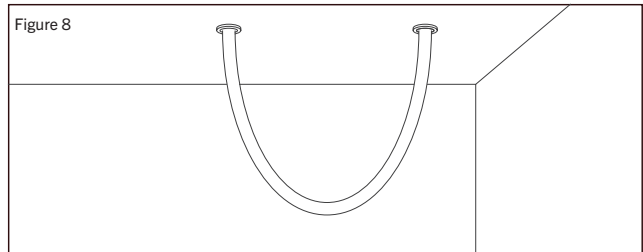


Connect the power. (Figure 7A)

STEP 7 Insert the insert, rotate it to the right so that it screws in according to the guide groove, snap it in place and release it. (Figure 7B)

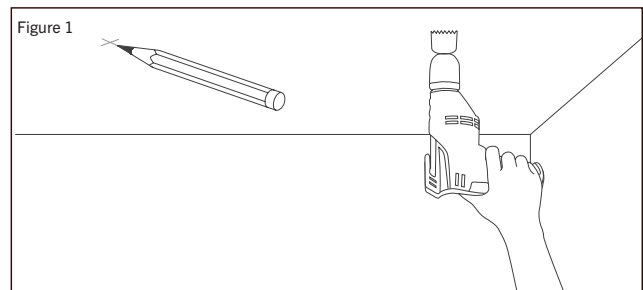


STEP 8 Connect the fixture to the power supply. (Figure 8)



TRIMLESS MOUNT INSTALLATION
SLQ25-TSM

STEP 1 Draw positioning lines on the ceiling according to the actual requirements, and drill holes on them. (Figure 1)



TRIMLESS MOUNT INSTALLATION (CONT.)
SLQ25-TSM

STEP 2 Select the screw according to the size of the screw hole.
(Figure 2)

STEP 3 Insert the fittings into the ceiling openings. (Figure 3)

STEP 4 Secure the fittings to the ceiling opening with 3 self-tapping screws. (Figure 4)

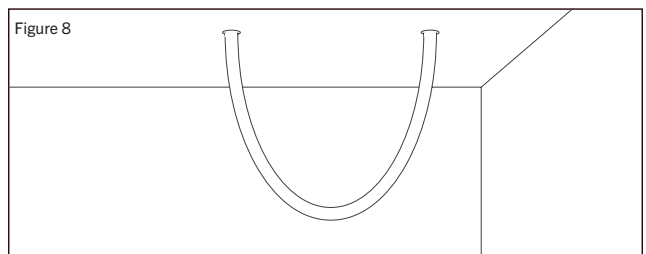
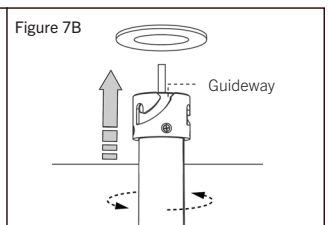
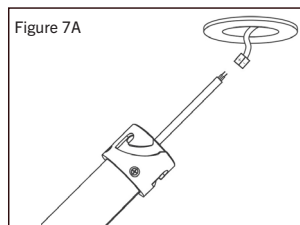
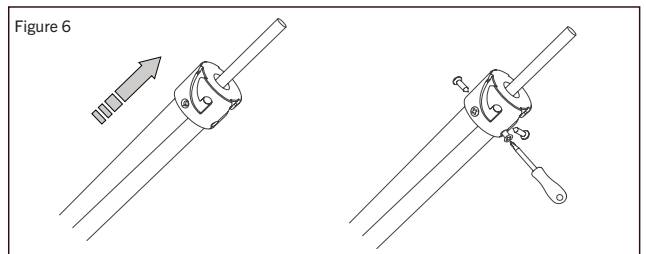
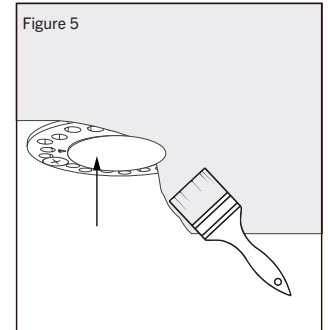
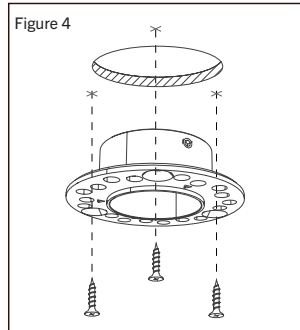
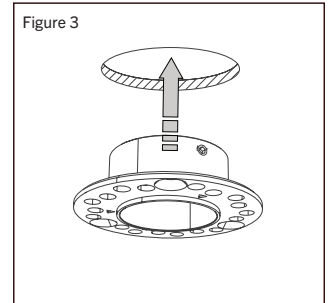
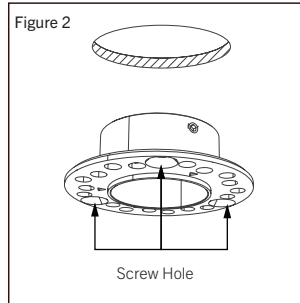
STEP 5 Cover the inside of the insert with masking, then paint the wall.
(Figure 5)
**Complete the same steps for the other insert hole.*

STEP 6 Insert the fixture into the embedded accessory, and screw the accessory to the fixture. (Figure 6)

Connect the power. (Figure 7A)

STEP 7 Insert the insert, rotate it to the right so that it screws in according to the guide groove, snap it in place and release it. (Figure 7B)

STEP 8 Connect the fixture to the power supply. (Figure 8)



ROUND PLATE INSTALLATION

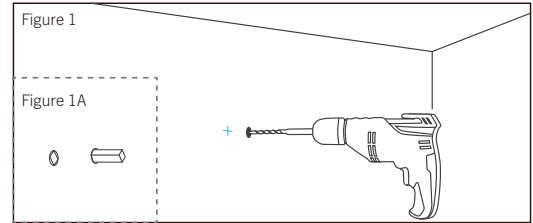
SLQ25-RPX (S | M | L)

* Accessory not available for Slinq Rigid

STEP 1

Determine the position of the mounting base, based on the screwhole spacing, and mark your chosen mounting surface. Drill a $\varnothing 6\text{mm}$ hole for each mounting screw. (Figure 1)

Insert rubber plugs into each drill hole. (Figure 1A)

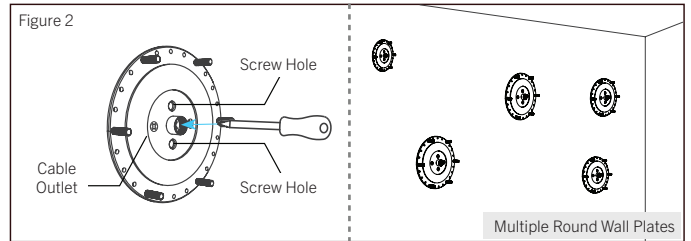


STEP 2

Secure the round plate base to your mounting surface with appropriate screws in each screw hole. (Figure 2)

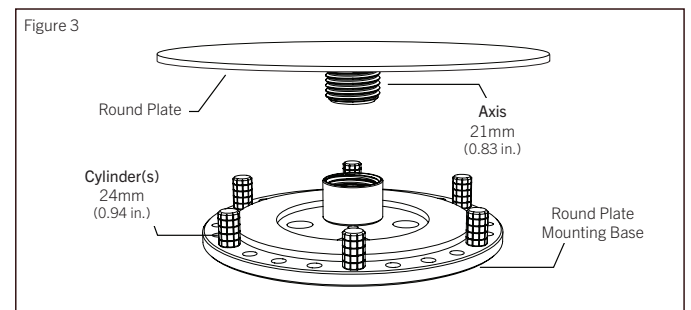
**If your design requires more than one Round Wall Plate, repeat steps 1 and 2.*

**Factory recommends atleast 2-3 people to install.*



STEP 3

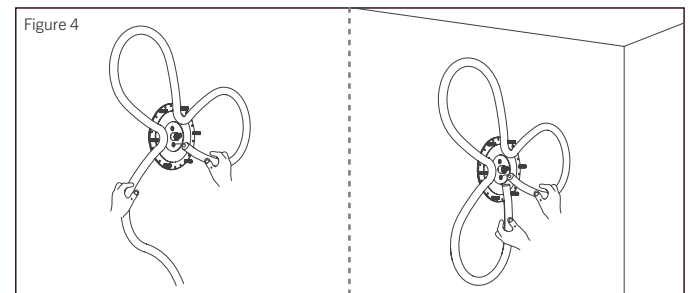
Match cylinders (14mm) and center axis (10mm) quantity according to your planned design. Screw in place. (Figure 3)



STEP 4

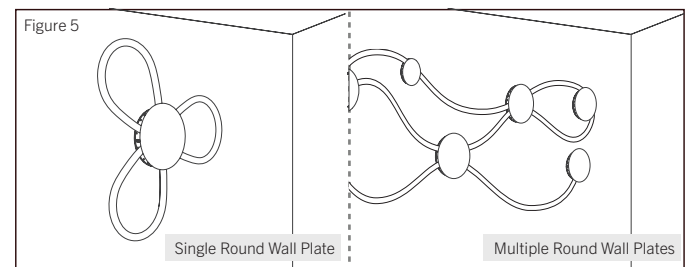
Begin creating your planned design by weaving through the cylinders. Secure your designs in place using "invisible accessories". (Figure 4)

**Refer to product spec sheet for compatible accessories.*



STEP 5

Screw on the round plate on to the mounting base and tighten. (Figure 5)



STEP 6

Connect the power feed to the main power supply.