

# PSDH-48W-24V (BAA/ BABA)

## HIGH PERFORMANCE DC DIMMING DRIVER

Project \_\_\_\_\_  
Location \_\_\_\_\_  
Quote/ Ref # \_\_\_\_\_

**PSDH-48W-24V** High Performance DC Dimming Drivers provide a solid reliable source of power in any commercial application. Integrated with AC ripple and Pure DC Technology, ensures LED's are not overdriven due to repeated excess current and prolong the lifetime of LED lighting system. Compatible with MLV forward phase dimming systems. Available in 24V DC. UL listed, Class 2 Rated.



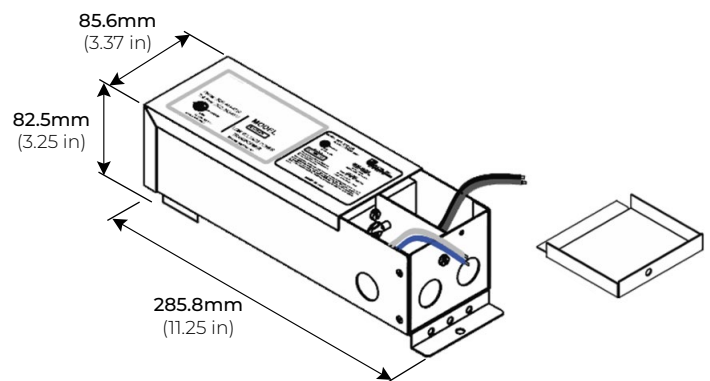
### SPECIFICATIONS

CLASS 2	Yes
LOAD REGULATION	2%
LINE REGULATION	5%
INPUT FREQUENCY	50-60 Hz
POWER FACTOR	0.85 typical
EFFICIENCY	80% typical
THD	0% (0-90%)   0.01% (90-100%)
MTBF	100,000 Hrs.
DIMMING	MLV Forward Phase
WIRE TERMINAL CONNECT	18AWG
HOUSING/ COOLING	Free-air convection
CONSTRUCTION	Indoor/ Outdoor NEMA-3
ENVIRONMENT	Outdoor Rated IP65
OPERATING TEMPERATURE	-22°F (-30°C) ~ 140°F (60°C)
FUNCTION SURFACE TEMP	-40 to 80 (25 C AMB)
STORAGE TEMPERATURE	-85°F (-65°C) ~ 194°F (90°C)
HUMIDITY	100% RH, non condensing
WALL MOUNTING	Conduit Access Class 1 Wiring
CERTIFICATIONS	UL Listed, BAA an BABA Compliant
WARRANTY	3-Year Limited
DIMENSIONS	285.5 x 85.9 x 85.9mm (11.25 x 3.38 x 3.38") (LxWxH)
WEIGHT	7 lbs

### FEATURES

- Dimming down to 1%
- Pure DC Current Technology
- Dimmable with MLV Forward Phase Dimmers
- NEMA 3R Indoor / Outdoor Enclosure
- AC Ripple Technology
- Manual Reset Overload Protection
- UL Listed (US and Canada)
- BAA and BABA Compliant
- Made in The USA

### DIMENSIONS



#### INPUT

INPUT VOLTAGE RANGE	120V AC
INPUT FREQUENCY RANGE	50-60 Hz
INPUT CURRENT (MAX.)	0.63A

#### OUTPUT

OUTPUT VOLTAGE	24V DC
OUTPUT CURRENT (MAX.)	2A
OUTPUT WATTAGE	48W



# PSDH-48W-24V (BAA/ BABA)

## HIGH PERFORMANCE DC DIMMING DRIVER

### WIRING



THIS PRODUCT IS ONLY TO BE INSTALLED BY A QUALIFIED TECHNICIAN IN ACCORDANCE WITH NATIONAL AND LOCAL ELECTRICAL CODES

#### SAFETY & WARNINGS:

- Install this product in accordance with local and national electrical codes
- This product is rated for indoor/ outdoor use. For outdoor applications, factory recommends using a wet rated enclosure.
- **Make sure power from the main breaker is off** before installing to avoid risk of electrical shock.

#### MOUNTING:

Select a suitable and proper location to mount the driver. Consider weight of the driver to be supported.

#### INPUT CONNECTIONS/ GROUNDING:

1. Remove input wiring cover and install strain reliefs.
2. Route the input wires and make connections according to the wiring diagram, following the INPUT side.

*\*Make sure that the driver is properly grounded in accordance with the N.E.C.*

#### OUTPUT CONNECTIONS:

1. Remove output wiring cover and install clamp connectors
2. Route the fixture wires and make connections according to the wiring diagram, following the OUTPUT side.

