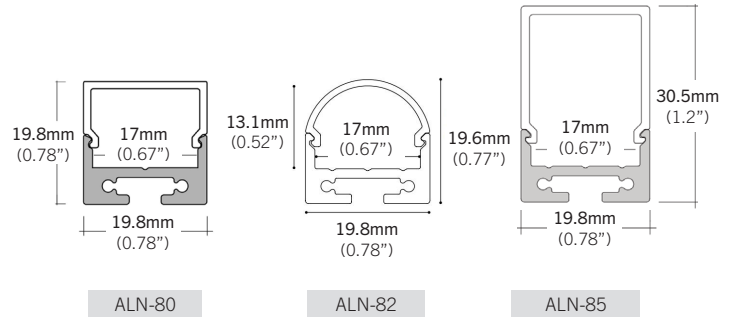


INSTALLATION GUIDE

DIMENSIONS



PRE-INSTALLATION

Surface/Suspended Mount

Disconnect power source prior to installation.

SAFETY

Read all instructions before installation.

These products may represent a possible shock or fire hazard if improperly installed.

Do not look directly into light.

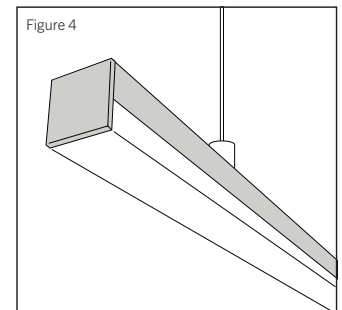
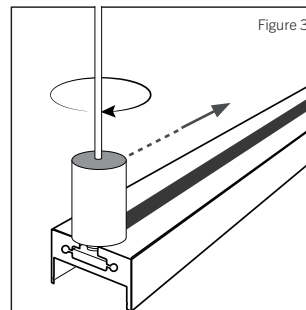
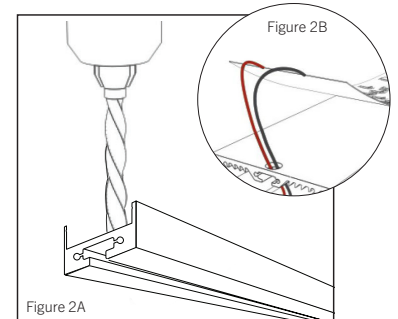
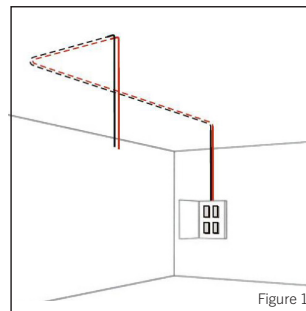
This fixture is only suitable for indoor installation.

Product should be installed by a qualified electrician.

Product should be installed in accordance with these instructions and current electrical codes.

SUSPENDED INSTALLATION

- STEP 1 Wire wall switch to driver and junction box.
Run main power wire through ceiling. (Figure 1)
- STEP 2 Drill a hole in channel for main power wire and a hole in the ceiling to mount. (Figure 2A)
- STEP 3 Mount LED tape to channel and feed wire through previously drilled hole. (Figure 2B)
Connect supply wire to main power.
- STEP 4 Snap lens in place.
- STEP 5 Slide mounting screw along the channel to desired position and tightly twist cable attachment to mounting screw. (Figure 3)
**If using a straight connector, slide into raceway on top of channel to ensure proper alignment and connect to next channel.*
- STEP 6 Screw end caps to channel. (Figure 4)



SURFACE INSTALLATION

STEP 1

Align the profile on your chosen mounting surface. Using a pencil, mark and measure where your channel and mounting clips will be placed. (Figure 1)

STEP 2

If needed, snap the lens into the channel and cut to the desired length using a blade suitable for aluminum (Figure 2). Then, separate the lens from the channel and clean any debris from the extrusion.

STEP 3

Peel the adhesive backing of the LED strip and install onto the channel. Then, carefully snap the lens back in place on the aluminum channel. (Figure 3)

**Make sure that the LED strip is laid evenly flat on the channel. This will avoid having any dark spots once lit up.*

STEP 4

Install the endcaps at the ends of the extrusion, making sure to feed the LED tape wires through the endcap with a hole. (Figure 4)

STEP 5

Using appropriate hardware, secure the mounting clips along your marked mounting surface. (Figure 5)

**Factory recommends using one mounting clip every 12 inches.*

STEP 6

Gently push the extrusion into the installed mounting clips. (Figure 6)

STEP 7

Wire as needed.

