

SURFACE/ SUSPENDED LED PROFILE SYSTEM

Project _____
Location _____
Quote/ Ref # _____

Alani is a versatile architectural-grade LED fixture engineered for both surface-mounted and suspended installations. Its high-quality aluminum construction ensures excellent thermal management, supporting higher wattages and extended system life. It features a patented frosted diffuser for maximum lumen output and wide, uniform light distribution, in multiple styles for enhanced aesthetic and design flexibility.



SPECIFICATIONS

TYPE	Surface / Suspended
INPUT VOLTAGE	24V DC
WATTAGE	3.5W (L1) 5W (L2) 7W (L3)
LUMEN OUTPUT	307 Lm/ Ft. (L1) 596 Lm/ Ft. (L2) 802 Lm/ Ft. (L3)
LENGTHS	49" / 98"
MAX RUN LENGTH	20 Ft. (Surface) 8 Ft. (Suspended)
FINISH	Black, White, Silver
CRI	95+
COLOR TEMPERATURE	27K / 30K / 35K / 40K / 50K / RGB / RGBW / RGBWW
DIMMING	TRIAC, 0-10, DMX, Lutron
OPERATING TEMPERATURE	-40°F (-40°C) ~ 140°F (60°C)
RATING	IP54 Indoor
CERTIFICATIONS	UL Listed

FEATURES

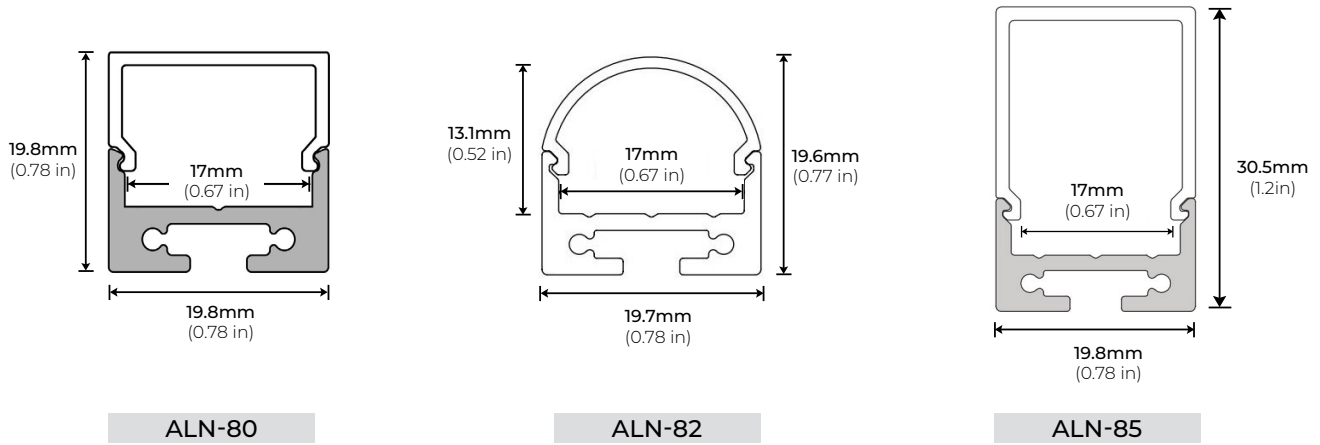
- Customizable
- Multiple lens shape options
- Surface or Suspended Mounting
- Dissipates heat from LED, prolonging its lifetime
- Ideal for Commercial, Residential, and Public spaces
- UL Listed (US and Canada)



MODEL	LENS	LENGTH	OUTPUT	CCT	FINISH	VOLT	MOUNT	WIRE FEED	REMOTE DRIVER
ALN	80 Frosted Standard	49 In.	L1 3.5W	27K 2700K	BK Black	24 24 Volt	CS10 Suspended Mount (10ft cable)	P1* End Feed Wire Output <i>* Only available for Surface Mount</i>	TR10 TRIAC/ 0-10 Dimming
	82 Frosted Round	98 In.	L2 5W	30K 3000K	WH White		SF Surface Mount		HL3E Lutron ECO 3-Wire
	85 Frosted Extended	XX Custom Length	L3 7W	35K 3500K	SI Silver		P2 Bottom Feed Wire Output		
				40K 4000K	CU Custom Color (Powder Coat)				
				50K 5000K					
				RGB RGB					
				RGBW(X)* RGB + White <i>* Fill in Kelvin</i>					
			RGB+WW Color Changing + Color Tuning		* Custom color finishes require powder coating. Allow 4 weeks lead time.			* DMX Decoders and Controllers ordered separately.	

SURFACE/ SUSPENDED LED PROFILE SYSTEM

DIMENSIONS



LUMENS

MODEL	TYPE	Lumen/ FT	WATTS
ALN	L1	307 LM/ FT.	3.5W
	L2	596 LM/ FT.	5W
	L3	802 LM/ FT.	7W

* Lumens at 3000K

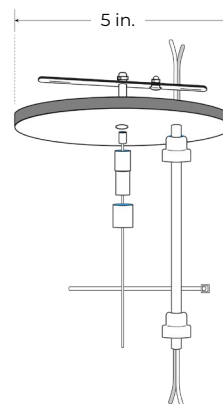
SUSPENSION KIT ACCESSORIES

POWER FEED KIT

ALP-CF-WH
WHITE POWER FEED KIT

ALP-CF-BK
BLACK POWER FEED KIT

* SOLD SEPARATELY



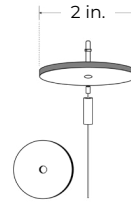
SURFACE/ SUSPENDED LED PROFILE SYSTEM

SUSPENSION KIT ACCESSORIES

2" NON-POWER FEED KIT

ALP-CSB-WH-2
2" WHITE FEED KIT

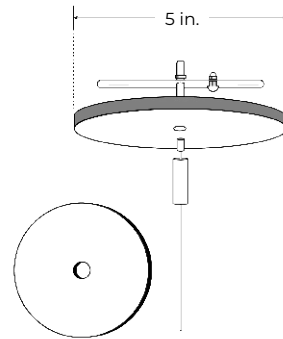
ALP-CSB-BK-2
2" BLACK FEED KIT



5" NON-POWER FEED KIT

ALP-CSB-WH-5
5" WHITE FEED KIT

ALP-CSB-BK-5
5" BLACK FEED KIT

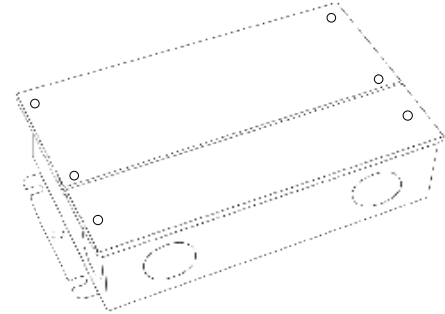


SURFACE/ SUSPENDED LED PROFILE SYSTEM

COMPATIBLE TRANSFORMERS

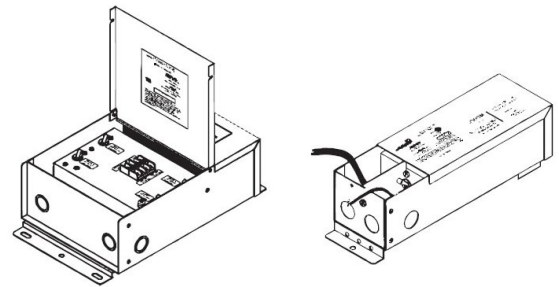
PSRX SERIES 4-IN-1 DIMMING DRIVER

PSRX-30W-24V	CLASS 2	6.5" X 3.72" X 1.57"
PSRX-60W-24V	CLASS 2	7.4" X 3.72" X 1.57"
PSRX-96W-24V	CLASS 2	8.66" X 3.72" X 1.57"
PSRX-150W-24V		10.24" X 4.13" X 1.77"
PSRX-192W-24V	CLASS 2	11" X 4" X 1.82"
PSRX-200W-24V		10.24" X 4.13" X 1.77"
PSRX-288W-24V	CLASS 2	11.85" X 4.25" X 1.82"
PSRX-300W-24V		10.94" X 4.33" X 1.77"



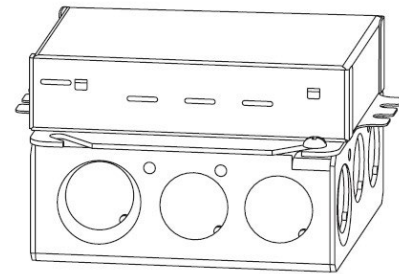
PSDH SERIES HIGH PERFORMANCE MAGNETIC LOW VOLTAGE (MLV)

PSDH-48W-24V	CLASS 2	11.25" X 3.37" X 3.25"
PSDH-96W-24V	CLASS 2	11.25" X 3.37" X 3.25"
PSDH-288W-24V	CLASS 2	14.25" X 4.43" X 4.43"



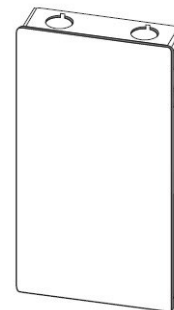
LUTRON 1% 3-WIRE DIMMING

L3DA4U1UKL-CV240	CLASS 2	4.89" X 4" X 2.62"
------------------	---------	--------------------



LUTRON 1%

PSDE-96W-24V-ECO	CLASS 2	10.5" X 3.0" X 2.0"
------------------	---------	---------------------



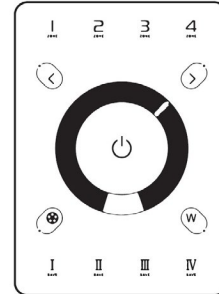
SURFACE/ SUSPENDED LED PROFILE SYSTEM

DMX CONTROLLERS

All DMX Controllers require a DMX Decoder and Non-Dimming Driver.
Please refer for page 6 for compatible options.

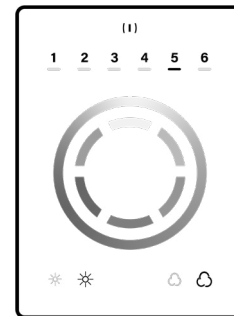
RGB CT600 MULTI-FUNCTION RGBW WALL CONTROLLER

INPUT VOLTAGE	5V DC, 1A
OUTPUT SIGNAL	RF 2.4GHZ + DMX512
CONTROL	4 ZONES
COLOR OPTIONS	Black/ White
WORKING TEMP	-20°C ~ 40°C
DIMENSIONS	LxWxH (5.19"x7.08"x1.38")



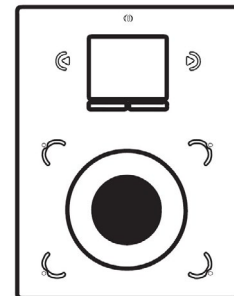
RGB-SCW4 WiFi DMX WALL CONTROLLER

INPUT VOLTAGE	5 - 10V DC, 06A
OUTPUT SIGNAL	DMX512 (x2)
PROGRAMMABILITY	PC/ MAC
COLOR OPTIONS	Black/ White
CONNECTIONS	USB/ 8dry contact ports/ Open drain output (for relay)
MEMORY	Built-In Flash
WORKING TEMP	-10°C ~ 45°C
DIMENSIONS	LxWxH (5.75"x4.17"x0.43")



RGB-SDE3 WiFi DMX WALL CONTROLLER

INPUT VOLTAGE	6V DC, 0.6A
OUTPUT SIGNAL	DMX512 (x2)
PROGRAMMABILITY	PC/ MAC/ Tablet/ Smartphone
COLOR OPTIONS	Black/ White
CONNECTIONS	USB/ Ethernet/ RS232/ CLock/ 8dry contact ports/ 5V output relay
MEMORY	MicroSD Card
WORKING TEMP	-20°C ~ 40°C
DIMENSIONS	LxWxH (5.75"x4.17"x0.43")



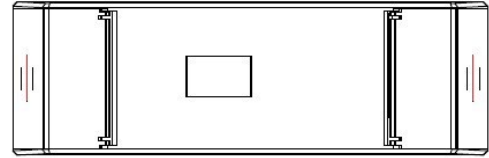
SURFACE/ SUSPENDED LED PROFILE SYSTEM

DMX DECODERS

All DMX Decoders require a DMX Controller and Non-Dimming Driver.
Please refer for page 5 compatible options.

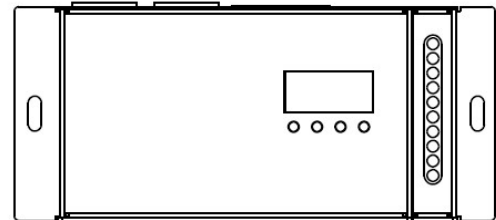
RGB-DMX-4C-RJ45 4-CHANNEL DMX DECODER

INPUT VOLTAGE 12V-24V DC
 OUTPUT CURRENT 8A X 4CH
 OUTPUT WATTAGE 4 x (96W ~ 288W)
 OUTPUT CHANNELS 4
 DIMENSIONS LxWxH (6.5"x2.38"x1.27")



RGB-DMX-5C-XLR 5-CHANNEL DMX DECODER

INPUT VOLTAGE 12V-24V DC
 OUTPUT CURRENT 8A X 5CH
 OUTPUT WATTAGE 5 x (96W ~ 192W)
 OUTPUT CHANNELS 5
 DIMENSIONS LxWxH (6.45"x2.87"x1.5")



COMPATIBLE NON-DIMMING DRIVERS

PSHK SERIES NON-DIMMING CONSTANT VOLTAGE WITH JUNCTION BOX

PSHK-30W-24V	CLASS 2	6.5" X 3.6" X 1.02"
PSHK-60W-24V	CLASS 2	7.4" X 3.62" X 1.02"
PSHK-96W-24V	CLASS 2	8.66" X 3.66" X 1.61"
PSHK-150W-24V		10.24" X 4.06" X 1.81"
PSHK-200W-24V		10.24" X 4.06" X 1.81"
PSHK-288W-24V	CLASS 2	11.85" X 4.25" X 1.82"
PSHK-300W-24V		10.24" X 4.25" X 1.81"

