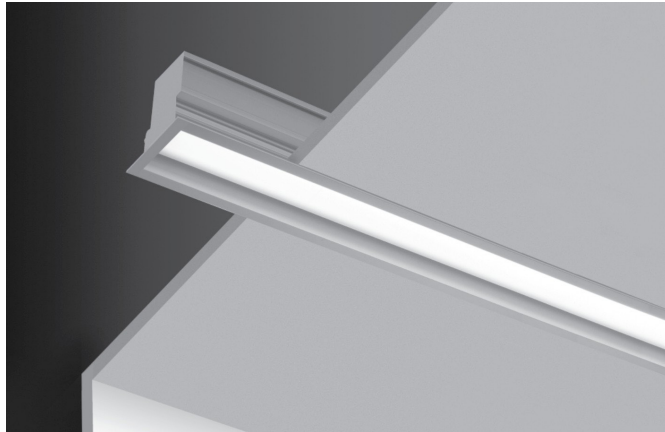


INSTALLATION GUIDE

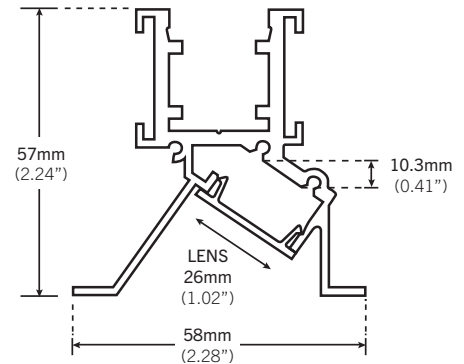


PRE-INSTALLATION

Recessed Mount

Disconnect power source prior to installation.

DIMENSIONS



SAFETY

Read all instructions before installation.

These products may represent a possible shock or fire hazard if improperly installed.

Do not look directly into light.

This fixture is only suitable for indoor installation.



Product should be installed by a qualified electrician.



Product should be installed in accordance with these instructions and current electrical codes.

INSTALLATION

- STEP 1 Measure, mark, and cutout drywall where channel will be mounted. (Figure 1)
- STEP 2 Run main power wire through ceiling. (Figure 2)
- STEP 3 Drill a hole in channel and drywall for main power wire.
- STEP 4 Screw end caps to channel. Push the spring clips up and insert the profile into the slot. (Figure 3)
*If using multiple channels, screw end cap to only the first and last channel ends for a continuous run.
- STEP 5 If joining multiple profiles, connect both ends using the connector brackets and set screws. (Figure 4)
Insert the tape light and lens. Wire as needed. (Figure 5)

