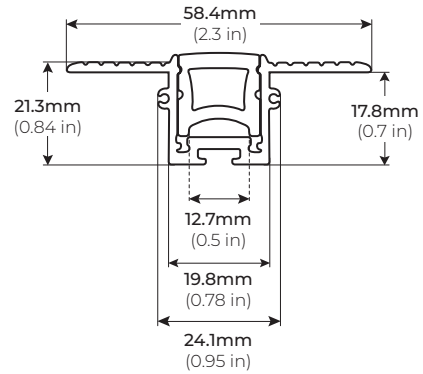


INSTALLATION GUIDE



DIMENSIONS



STRAIGHT



PRE-INSTALLATION

Trimless Mount



Power input is 24V. Confirm the source voltage is compatible.

Disconnect power source prior to installation.

SAFETY

Read all instructions before installation.

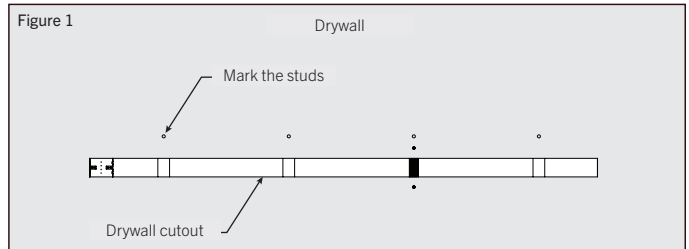
These products may present a possible shock, serious injury, or death if improperly installed.

-  Product should be installed by a qualified electrician.
-  Product should be installed in accordance with these instructions and current electrical codes.

INSTALLATION

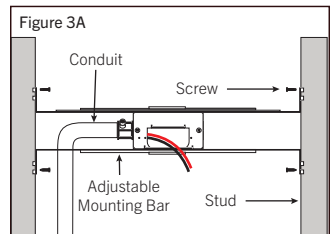
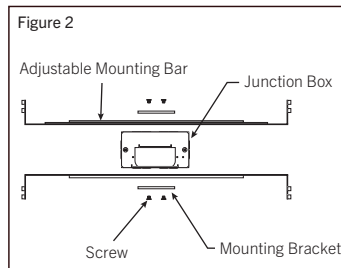
STEP 1

Measure, cut out, and mark the drywall where the fixture will be mounted. (Figure 1)



STEP 2

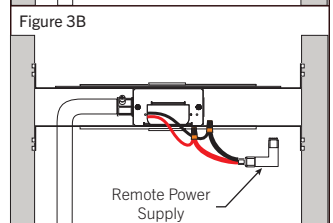
Attach the mounting bars to the junction box using the provided mounting brackets and screws. (Figure 2)



STEP 3

Measure and install the junction box. (Figure 3A)

*Install the remote power supply within 40ft. of the junction box. (Figure 3B)



*The adjustable mounting bars mount to studs that are spaced 15-24in. apart. If the span needs to be shorter, break the bar arms from the dedicated lines.

INSTALLATION

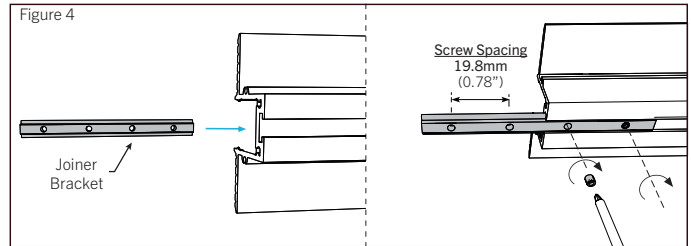
If only installing one fixture, skip to step 6.

Joining Multiple Profiles

STEP 4

If connecting profiles together, insert the joiner bracket into the bottom slot of the profile. Secure in place by tightening the provided screws. (Figure 4)

* Factory recommends only combining together profiles of the same bend or the straight non-bend profile. Virtigo Top Bend (VIR-TB) CAN NOT be combined with Virtigo Side Bend (VIR-SB).



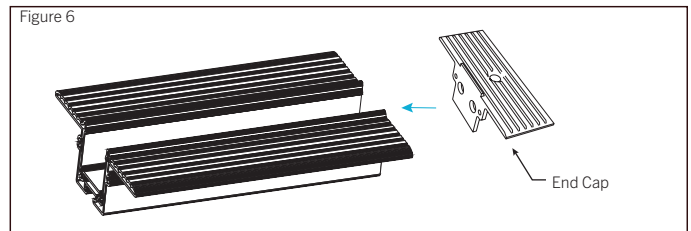
STEP 5

Slide the exposed half of the joiner bracket into the connecting profile. Secure in place with the provided screws. (Figure 5)



STEP 6

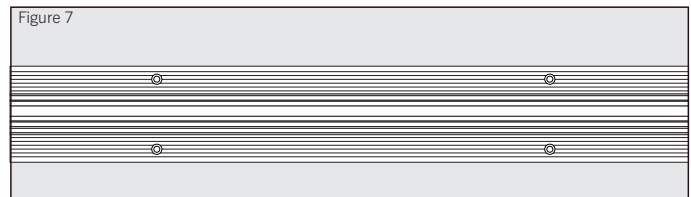
Attach the end cap and secure in place with screws. (Figure 6)



STEP 7

Mount/ Install the profile onto drywall.
Drill and countersink channel with screws. (Figure 7)

* Make sure all screw heads are flush with the channel surface.
* To prevent damage to the channel, factory recommends only drilling into the flange. DO NOT drill into the center of the channel.

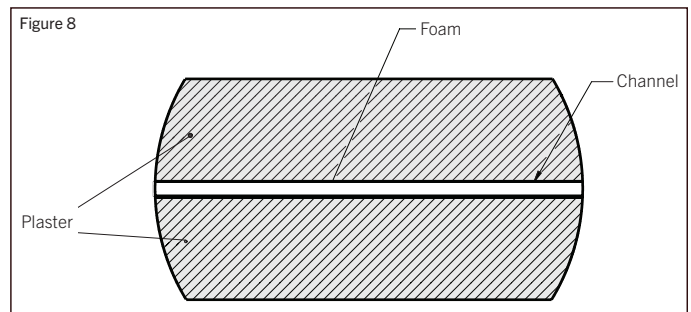


STEP 8

Before applying plaster to the edges, use drywall tape along the edges to avoid the plaster from cracking after installation. (Figure 8)

Apply plaster to the edges and finish with sand and paint.

* Make sure that the drywall tapes do not overlap.



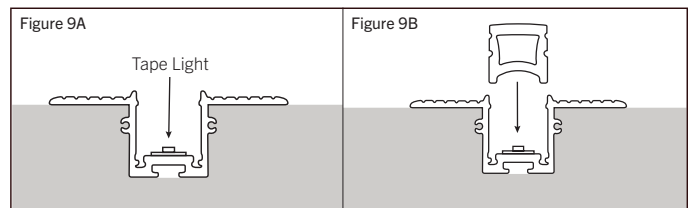
STEP 9

Carefully remove the placeholder foam from the profile.

Peel off the adhesive backing from the LED strip and mount it onto the channel, guiding the wires through the endcap's center hole. (Figure 9A)

Then, gently press the lens into position. (Figure 9B)

* Make sure that the LED strip is laid evenly flat on the channel. This will avoid having any darkspots once lit up.



STEP 10

Wire as needed.