

# ALP-60R

## RECESSED MOUNT LED PROFILE

Project \_\_\_\_\_

Location \_\_\_\_\_

Quote/ Ref # \_\_\_\_\_

The **ALP-60R** is a recessed architectural grade LED extrusion profile designed for linear LED strips up to 11mm (0.43") wide. Made from high quality anodized aluminum, this extrusion provides superior thermal management for higher wattage LED strips and prolong the lifespan of the lighting system. This recessed mount profile comes with a patented frosted diffuser lens for maximum lumen output and wide beam distribution. The ALP-60R profile helps protect LED's from dust and other undesirable elements, which can shorten the LEDs life. They are also an elegant design solution for any space.



### SPECIFICATIONS

|                   |                               |
|-------------------|-------------------------------|
| TYPE              | Recessed                      |
| AVAILABLE LENGTHS | 49.25 in.   84 in.   98.5 in. |
| FINISH            | White, Black, Silver          |
| LENS OPTION       | Frosted                       |
| CHANNEL           | ALP60R                        |
| LENS              | ALP60R-LN (Included)          |
| END CAP           | ALP60R-EC                     |

### FEATURES

- Customizable
- Compatible with LED strips up to 11mm (0.43 in) wide
- Durable, anodized aluminum
- Protects LED systems from dust and other elements
- Dissipates heat from LED, prolonging its lifetime
- Suitable for recessed installations and applications

\*LED strips sold separately



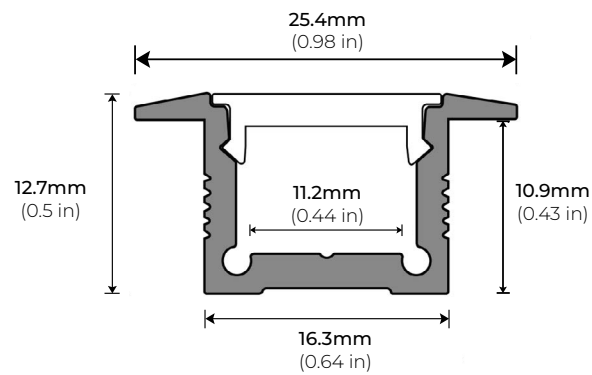
| MODEL  | LENGTH                 | LENS                 | FINISH                               |
|--------|------------------------|----------------------|--------------------------------------|
| ALP60R | <b>49</b><br>49.25 in. | <b>FR</b><br>Frosted | <b>WH</b><br>White                   |
|        | <b>84</b><br>84 in.    |                      | <b>BK</b><br>Black                   |
|        | <b>98</b><br>98.5 in.  |                      | <b>SI</b><br>Silver                  |
|        |                        |                      | <b>CU</b><br>Custom<br>(Powder Coat) |

\* Custom color finishes require powder coating. Allow 7 days lead time.

# ALP-60R

## RECESSED MOUNT LED PROFILE

### DIMENSIONS



### ACCESSORIES

#### ALP60R-EC END CAP

\* 2 INCLUDED WITH EVERY CHANNEL

