

# ALP-3200SCX

## RECESSED "STUCCO" TRIMLESS LED PROFILE

Project \_\_\_\_\_  
Location \_\_\_\_\_  
Quote/ Ref # \_\_\_\_\_

The **ALP-3200SCX** is an architectural-grade LED profile designed for stucco applications and compatible with LED strips up to 35mm (1.38") wide. Made from high quality aluminum, these extrusions provide superior thermal management for LED strips prolonging the lighting system's lifespan. It is manufactured with a patented frosted diffuser for maximum lumen output and wider beam distribution.



### SPECIFICATIONS

|                    |                                      |
|--------------------|--------------------------------------|
| TYPE               | Recessed Profile                     |
| LED STRIP          | Fits LED strips up to 35mm (1.38 in) |
| LENGTHS            | 48"/ 98.5"                           |
| APERTURE           | 2 in.                                |
| FINISH             | Anodized Aluminum                    |
| LENS               | Frosted                              |
| TRANSFORMER        | Remote (Sold Separately)             |
| CHANNEL            | ALP3200SCX                           |
| LENS               | ALP3200-LNX (Sold Separately)        |
| END CAP            | ALP3000-EC (Sold Separately)         |
| STRAIGHT CONNECTOR | ALP-SC (Sold separately)             |

### FEATURES

- Customizable
- Trimless, Recessed Design
- Stucco Applications
- 2" Aperture
- Field Cuttable
- Fits LED strips up to 35mm (1.38 in) wide
- Protects LEDs from dust and other elements
- Dissipates heat from LEDs, prolonging its lifetime

### PROFILE SYSTEM



| MODEL   | LENGTH                | FINISH                               |
|---|-----------------------|--------------------------------------|
| ALP3200SCX  | <b>48</b><br>48 In.   | <b>SI</b><br>Silver                  |
|   | <b>98</b><br>98.5 In. | <b>CU</b><br>Custom<br>(Powder Coat) |
| * Custom color finishes require powder coating. Allow 7 days lead time. |                       |                                      |

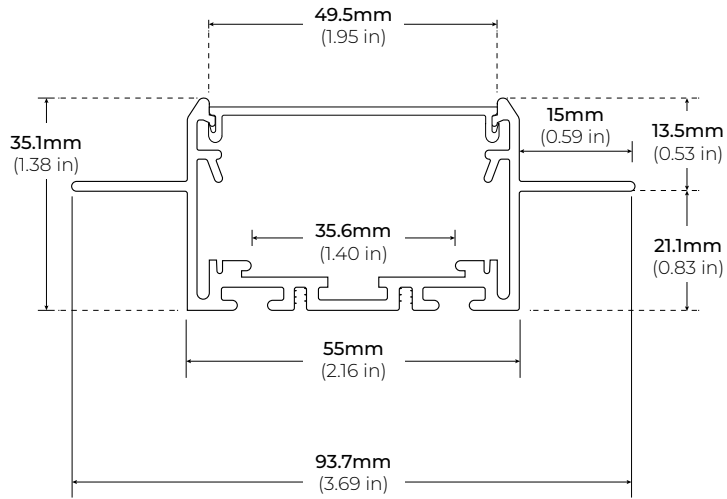
### LENS

| MODEL   | LENGTH                  | LENS                 |
|---|-------------------------|----------------------|
| ALP3200-LNX   | <b>1'PF</b><br>Per Foot | <b>FR</b><br>Frosted |
| *1 = Custom Length per Ft.<br>(Maximum Length 65 Ft.) |                         |                      |

# ALP-3200SCX

## RECESSED "STUCCO" TRIMLESS LED PROFILE

### DIMENSIONS



### ACCESSORIES

#### ALP3200-LNX LENS

\* SOLD SEPARATELY



#### ALP3000-EC END CAP

\* SOLD SEPARATELY



#### ALP-SC SEAMLESS CONNECTOR 2.17" x 0.39" x 0.08" (LxWxH)

\* SOLD SEPARATELY

