

# ALP-1200TL

## CORNER TRIMLESS PROFILE

Project \_\_\_\_\_

Location \_\_\_\_\_

Quote/ Ref # \_\_\_\_\_

The **ALP-1200TL** is an architectural-grade LED extrusion profile, ideal for recessed applications that call for a sleek, modern aesthetic. Constructed from high-quality extruded aluminum, it accommodates LED strips up to 13mm (0.51") wide and supports long, continuous runs—perfect for creating clean, uninterrupted lines of light along walls or ceilings.



## SPECIFICATIONS

TYPE	Trimless   Mud-In
LED STRIP	Up to 13mm (0.51")
AVAILABLE LENGTHS	78 in.
FINISH	White
LENS OPTION	Frosted
CHANNEL	ALP1200TL
LENS	ALP1200TL-LN (Included)
END CAP	ALP1200TL-EC (Sold Separately)
STRAIGHT CONNECTOR	ALP1200TL-STB
RIGHT ANGLE CONNECTOR	ALP1200TL-L90
WARRANTY	5 Years

## FEATURES

- Field Cuttable
- Accommodates LED strips up to 13mm (0.51") wide
- Durable, anodized aluminum
- Frosted lens diffuser included
- Suitable for corner installations/ applications
- Protects LED systems from dust and other elements
- Dissipates heat from LED, prolonging its lifetime



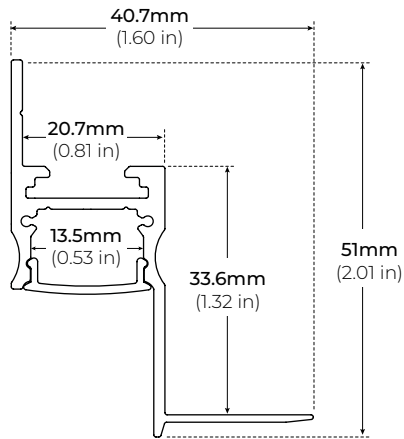
MODEL	LENS	LENGTH	FINISH
ALP1200TL	FR Frosted	78 78 in.	WH White  CU Custom (Powder Coat)

\* Custom color finishes require powder coating. Allow 14 days lead time.

# ALP-1200TL

CORNER TRIMLESS PROFILE

## DIMENSIONS



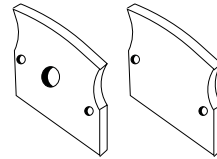
## COMPATIBLE ACCESSORIES

### ALP1200TL-EC

END CAP

\* Set of 2

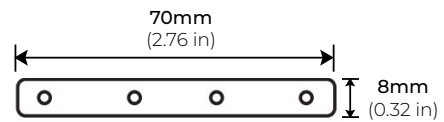
\*SOLD SEPARATELY



### ALP1200TL-STB

STRAIGHT CONNECTOR

\*SOLD SEPARATELY



### ALP1200TL-L90

RIGHT ANGLE CONNECTOR

\*SOLD SEPARATELY

