

VIRTIGO

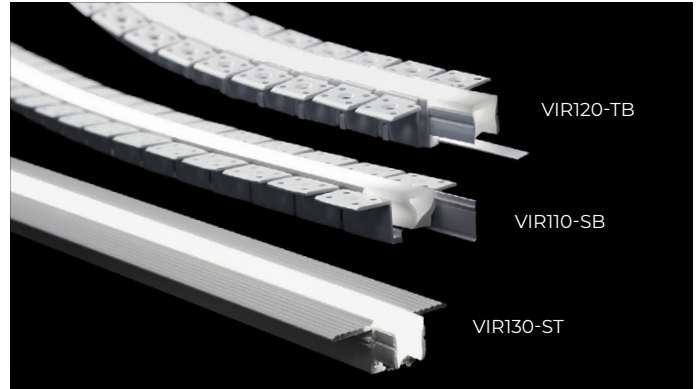
BENDABLE TRIMLESS LED LUMINAIRE

Project _____

Location _____

Quote/ Ref # _____

VIRTIGO is a flexible, Architectural Grade, trimless LED luminaire that installs directly into drywall for a clean, integrated finish. Powered by the Safire Series LED strip, it produces a smooth, uninterrupted line of light. With a maximum bending curve of 362mm (14.25"), Virtigo easily adapts to wall contours and freeform shapes, bringing fluid design to any space.



SPECIFICATIONS

TYPE	Recessed, Trimless
INPUT VOLTAGE	24V DC
WATTAGE	3.5W 5W 7W
MAXIMUM RUN	40 Ft. (L1) 25 Ft. (L2) 15 Ft. (L3)
LUMEN OUTPUT	Up to 700 Lm/Ft. (30K)
COLOR TEMPERATURE	22K / 24K / 27K / 30K / 35K / 40K / 50K
DIMMING	MLV, ELV, 0-10V and TRIAC
CRI	95+
SURFACE BEND	Top Bend Side Bend Straight
LENS	VIR-LN (Sold Separately)
LENS OPTION	Frosted
FINISH	White
AVAILABLE LENGTHS	42 in. 84 in.
DRIVER	Remote
LUMEN MAINTENANCE	50,000 Hrs.
CERTIFICATIONS	UL Listed

FEATURES

- Flexible, aluminum profile
- Capable of top bend, side bend, and straight run
- Maximum bending curve of 362mm (14.25")
- Trimless Installation
- Dissipates heat from LED, prolonging its lifetime
- UL Listed (US and Canada)



VIR SERIES: PROFILE SYSTEM

MODEL	SURFACE BEND	LENGTH	WATTAGE	COLOR TEMP	VOLTAGE	DRIVER
VIR	110-SB Side Bend	42 42 in.	L1 3.5W	22K 35K 2200K 3500K	24 24V DC	See pages 3-4 for compatible drivers
	120-TB Top Bend	84 84 in.	L2 5W	24K 40K 2400K 4000K		
	130-ST* Straight		L3 7W	27K 50K 2700K 5000K		
				30K 3000K		

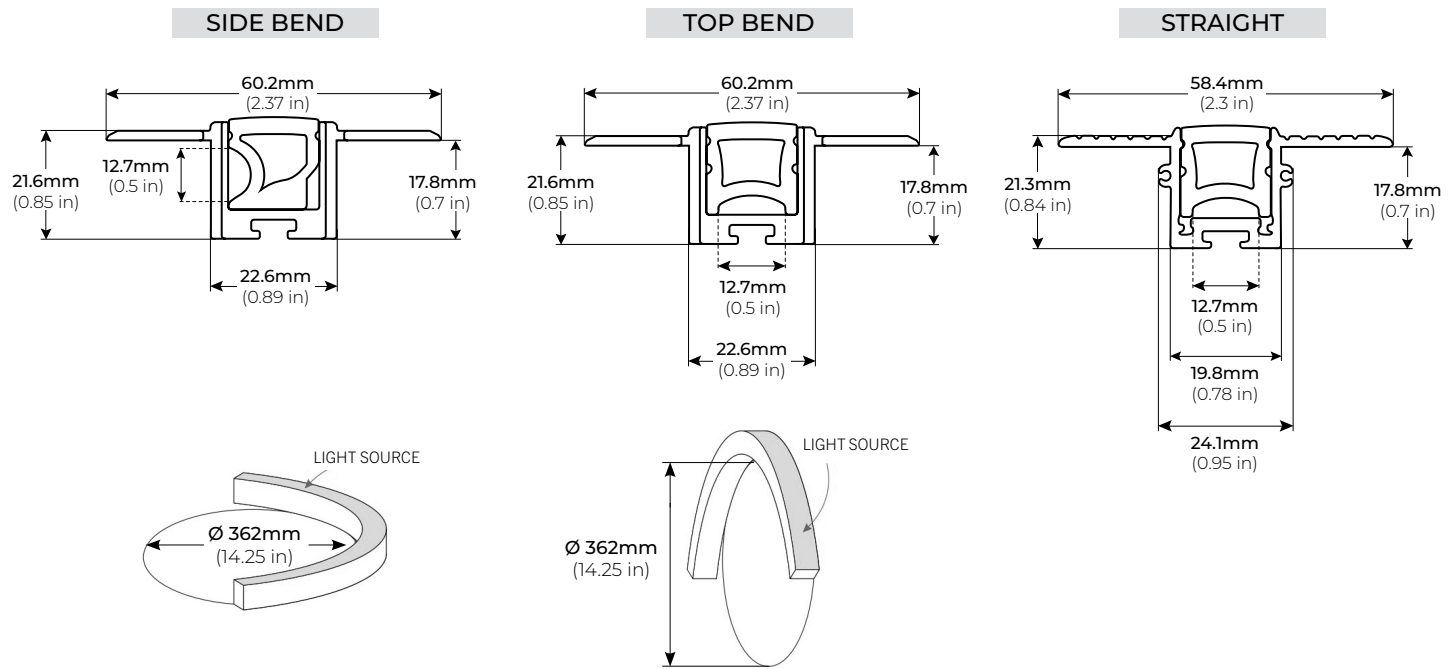
* Compatible with Top or Side Bend Lens

VIR SERIES: LENS

MODEL	SURFACE BEND	LENGTH	LENS
VIR-LN	SB Side Bend	42 42 in.	FR Frosted Lens
	TB Top Bend	84 84 in.	
		PF Per Foot	

BENDABLE TRIMLESS LED LUMINAIRE

DIMENSIONS



LUMENS

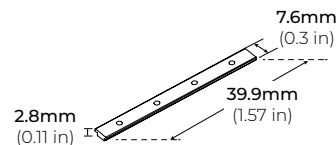
TYPE	WATTS (W/Ft.)	LUMENS (Lm/Ft.)
L1	3.5W	400 Lm
L2	5W	500 Lm
L3	7W	700 Lm.

* Lumens at 3000K

COMPATIBLE ACCESSORIES

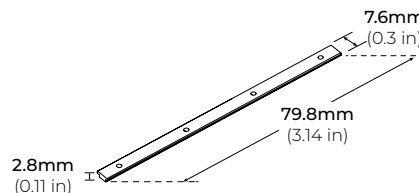
VIR110/120-STB 40MM JOINER BRACKET

- * SET OF 2
- * SOLD SEPARATELY
- * COMPATIBLE WITH SIDE AND TOP BEND PROFILES



VIR130-STB 84MM JOINER BRACKET

- * SET OF 2
- * SOLD SEPARATELY
- * COMPATIBLE WITH STRAIGHT PROFILE ONLY

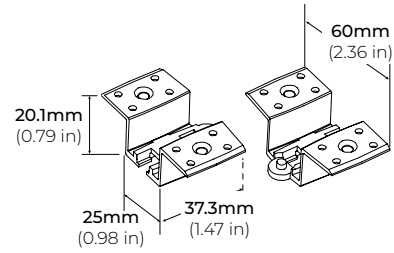


BENDABLE TRIMLESS LED LUMINAIRE

COMPATIBLE ACCESSORIES

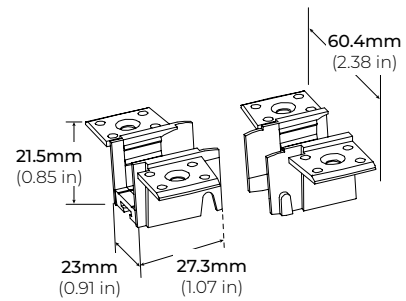
VIR110-SB-EF SIDE BEND PROFILE END FITTING

- * SET OF 2
- * REQUIRED ACCESSORY TO COMPLETE VIRTIGO SYSTEM. ORDER SEPARATELY.



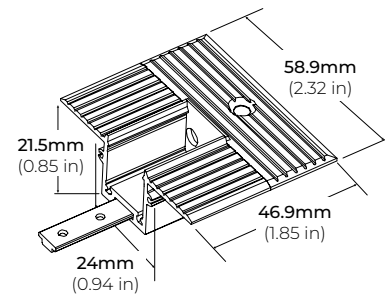
VIR120-TB-EF TOP BEND PROFILE END FITTING

- * SET OF 2
- * REQUIRED ACCESSORY TO COMPLETE VIRTIGO SYSTEM. ORDER SEPARATELY.



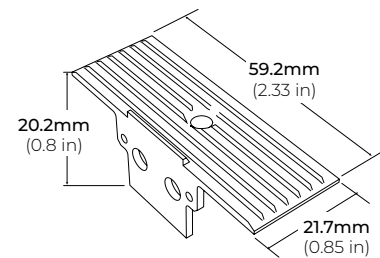
VIR110/120-EC-WH SIDE BEND/ TOP BEND END CAP (WHITE)

- * SOLD SEPARATELY
- * REQUIRES END FITTING (SB-EF/ TB-EF) ACCESSORY TO COMPLETE VIRTIGO SYSTEM.



VIR130-ST-EC-WH STRAIGHT NON-BEND END CAP (WHITE)

- * SOLD SEPARATELY

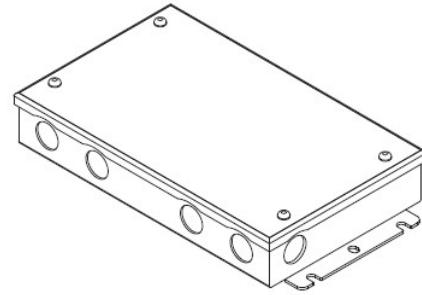


BENDABLE TRIMLESS LED LUMINAIRE

COMPATIBLE TRANSFORMERS

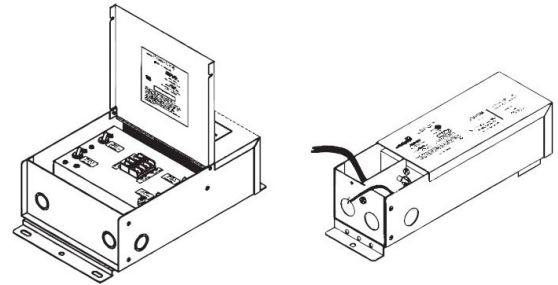
PSDL SERIES TRIAC DIMMABLE

PSDL-30W-24V	CLASS 2	6.5" X 3.63" X 1.03"
PSDL-60W-24V	CLASS 2	7.4" X 3.63" X 1.03"
PSDL-96W-24V	CLASS 2	8.67" X 3.67 X 1.62"
PSDL-150W-24V		8.67" X 3.67" X 1.62"
PSDL-192W-24V	CLASS 2	10.25" X 4.06" X 1.82"
PSDL-200W-24V		10.25" X 4.06" X 1.82"
PSDL-288W-24V	CLASS 2	10.25" X 4.06" X 1.82"
PSDL-300W-24V		10.25" X 4.06" X 1.82"



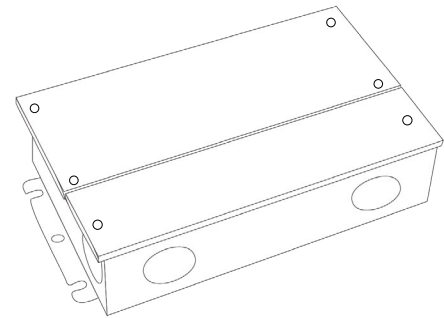
PSDH SERIES HIGH PERFORMANCE MAGNETIC LOW VOLTAGE (MLV)

PSDH-48W-24V	CLASS 2	11.25" X 3.37" X 3.25"
PSDH-96W-24V	CLASS 2	11.25" X 3.37" X 3.25"
PSDH-288W-24V	CLASS 2	14.25" X 8.43" X 4.43"



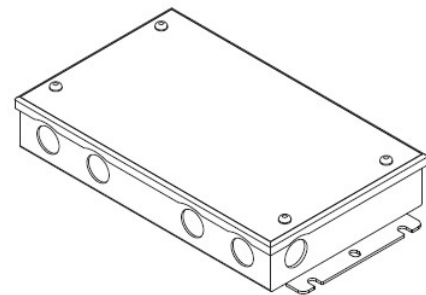
PSRX SERIES 4-IN-1 DIMMING DRIVER

PSRX-30W-24V	CLASS 2	6.5" X 3.72" X 1.57"
PSRX-60W-24V	CLASS 2	7.4" X 3.72" X 1.57"
PSRX-96W-24V	CLASS 2	8.66" X 3.72" X 1.57"
PSRX-150W-24V		10.24" X 4.13" X 1.77"
PSRX-192W-24V	CLASS 2	11" X 4" X 1.82"
PSRX-200W-24V		10.24" X 4.13" X 1.77"
PSRX-288W-24V	CLASS 2	11.85" X 4.25" X 1.82"
PSRX-300W-24V		10.94" X 4.33" X 1.77"



PSVT SERIES 0-10V DIMMING DRIVER

PSVT-60W-24V	CLASS 2	7.4" X 3.72" X 1.57"
PSVT-96W-24V	CLASS 2	8.66" X 3.72" X 1.57"
PSVT-200W-24V		10.24" X 4.13" X 1.77"
PSVT-288W-24V	CLASS 2	11.85" X 4.25" X 1.81"
PSVT-300W-24V		10.94" X 4.33" X 1.77"



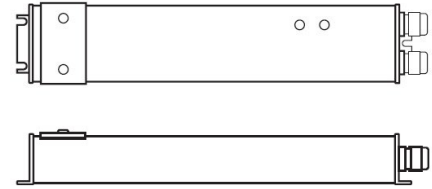
BENDABLE TRIMLESS LED LUMINAIRE

COMPATIBLE TRANSFORMERS

PSDE SERIES

0-10V DIMMING W/ JUNCTION BOX

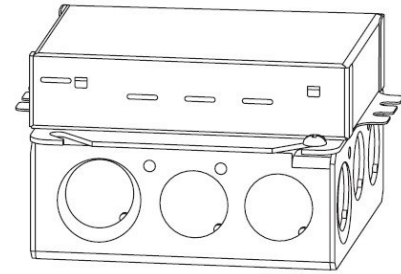
PSDE-60W-24V-010-JB	CLASS 2	12.1" X 2.36" X 1.4"
PSDE-96W-24V-010-JB	CLASS 2	12.1" X 2.36" X 1.4"



LUTRON 1%

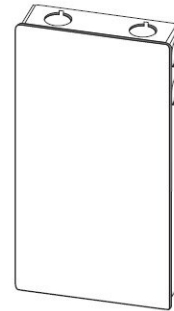
3-WIRE DIMMING

L3DA4U1UKL-CV240	CLASS 2	4.89" X 4" X 2.62"
------------------	---------	--------------------



LUTRON 1%

PSDE-96W-24V-ECO	CLASS 2	10.5" X 3.0" X 2.0"
------------------	---------	---------------------



NON-DIMMING DRIVERS (COMPATABLE WITH ALL SYSTEMS)

PSHK SERIES

NON-DIMMING CONSTANT VOLTAGE WITH JUNCTION BOX

PSHK-30W-24V	CLASS 2	6.5" X 3.6" X 1.02"
PSHK-60W-24V	CLASS 2	7.4" X 3.62" X 1.02"
PSHK-96W-24V	CLASS 2	8.66" X 3.66" X 1.61"
PSHK-150W-24V		10.24" X 4.06" X 1.81"
PSHK-200W-24V		10.24" X 4.06" X 1.81"
PSHK-288W-24V	CLASS 2	11.85" X 4.25" X 1.82"
PSHK-300W-24V		10.24" X 4.25" X 1.81"

