

PSDE-100W-24V-010-A2

100W 0-10V DIMMING DRIVER

Project _____

Location _____

Quote/ Ref # _____

PSDE-100W-24V-010-A2 is a slim 100W, 0-10V dimmable driver designed for reliable performance. It delivers a constant voltage output of up to 100 watts with exceptionally low ripple. The driver features on-board, flicker-free dimming technology that ensures smooth and stable light control, dimming seamlessly down to less than 1% with no flashing.



SPECIFICATIONS

INPUT	
INPUT VOLTAGE RANGE	108-305V AC
INPUT FREQUENCY RANGE	47 ~ 63Hz
POWER FACTOR	≥ 0.9
EFFICIENCY	> 86% Typical
LEAKAGE CURRENT (MAX.)	0.5A
INPUT CURRENT	1.2A (120V)
INRUSH CURRENT	30A (@ 230V)
THD	< 20% (@ 277V AC)

OUTPUT	
OUTPUT VOLTAGE	24V DC
OUTPUT WATTAGE (MAX.)	100W
OUTPUT CURRENT (MAX.)	4.1A

PROTECTION	
SHORT CIRCUIT	Yes; Hiccup Mode
OVER VOLTAGE	Yes
OVER LOAD	Yes
OVER TEMPERATURE	Yes; Shut down, power on recover (Tcase @ 194°F)

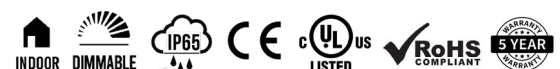
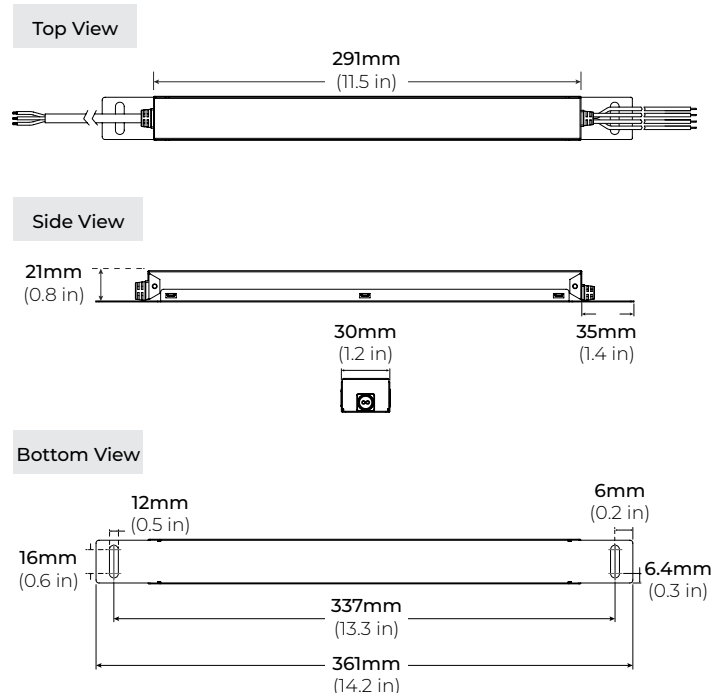
ENVIRONMENT	
WORKING TEMPERATURE	-22°F (-30°C) ~ 194°F (90°C)
STORAGE TEMPERATURE	-40°F (-40°C) ~ 185°F (85°C)
HUMIDITY	10~95% RH, non-condensing
CASE TEMP (MAX)	194°F (90°C)

OTHER	
WARRANTY	5-Year Limited Warranty
DIMENSIONS (L x W x H)	14.2" x 1.2" x 0.8"
WEIGHT	1 lbs

FEATURES

- 100W
- Class 2
- 0-10V Dimming
- Smooth dimming down to less than 1%
- Noiseless Operation
- Flicker-Free, no flicker and no flashing
- Short Circuit, Over Temperature Protection
- UL Listed (US and Canada), CE, RoHS

DIMENSIONS



PSDE-100W-24V-010-A2

100W 0-10V DIMMING DRIVER

WIRING



THIS PRODUCT IS ONLY TO BE INSTALLED BY A QUALIFIED TECHNICIAN IN ACCORDANCE WITH NATIONAL AND LOCAL ELECTRICAL CODES

SAFETY & WARNINGS:

- Install this product in accordance with local and national electrical codes
- This product is rated for indoor use. For outdoor applications, use wet rated enclosure.
- **Make sure power from the main breaker is off** before installing to avoid risk of electrical shock.

MOUNTING:

Select a suitable and proper location to mount the driver. Consider weight of the driver to be supported.

INPUT CONNECTIONS/ GROUNDING:

1. Route the input wires and make connections according to the wiring diagram, following the INPUT side.

**Make sure that the driver is properly grounded in accordance with the N.E.C.*

OUTPUT CONNECTIONS:

1. Route the output wires and make connections according to the wiring diagram, following the OUTPUT side.

0-10V DIMMING:

Connect the dimmer in accordance to the wiring diagram.

**Use appropriate wire connectors to ensure all wire connections.*

Input (120-277VAC)

100-305V
AC Power
Source

G N L
Ground (Green) Neutral (White) AC Line (Black)

PSDE-100W-24V-010-A2

Output
(24VDC)

V+ (Red) V- (Black)
DIM+ (Violet) DIM- (Gray)

0-10V DC (sink)

LED ARRAY