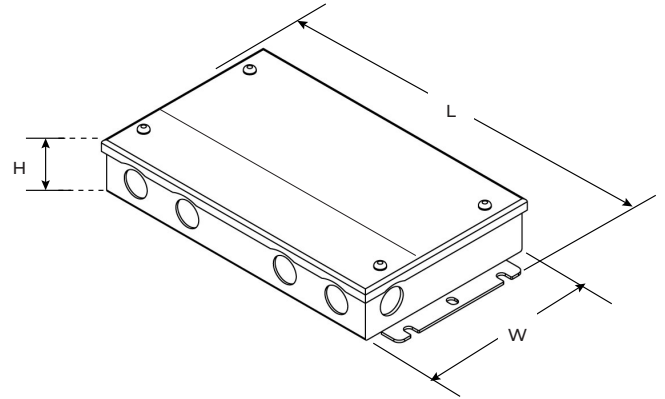


**WIRING GUIDE**



**DIMENSIONS**



**PRE-INSTALLATION**

Power input is 12V/ 24V. Confirm the source voltage is compatible.  
Disconnect power source prior to installation.

**SAFETY**

Read all instructions before installation.

These products may present a possible shock, serious injury, or death if improperly installed.

Do not install in wet locations.



Product should be installed by a qualified electrician.



Product should be installed in accordance with these instructions and current electrical codes.

**WIRING GUIDE**

