

CMP-410

1200 LUMEN DOUBLE LED MONOPOINT LUMINARE

Project _____

Location _____

Quote/ Ref # _____

Performance with uncompromised visual experience packed in a sleek and sharp design defines the **CMP-410** Dual LED Monopoint Series. It delivers 1200 Lumens at 90CRI. Its soft-focus glass lens provides subtle glare control. The dual LED features rotation and tilt adjustability giving you more versatility with your lighting. Available in three optic options and two finish options making it perfect for any commercial or residential architectural application.



SPECIFICATIONS

INPUT VOLTAGE	120V-277V AC, 50-60Hz
WATTAGE	20W
LUMEN OUTPUT	1200 Lm
OPTICS	Spot 19°/ Flood 30°/ Wide Flood 45°
COLOR TEMPERATURE	2700K/ 3000K/ 3500K/ 4000K
ADJUSTABILITY	355° Rotation/150° Tilt
LED	CREE CXB LED Array
CRI	90+
DIMMING	ELV, 0-10 and TRIAC
FINISH	Silver
LUMEN MAINTENANCE	50,000 Hrs.

FEATURES

- Dual LED heads
- 1200 Lumens
- Superior Color Rendering Index (90+ CRI)
- Die-cast powder coated aluminum
- 355° rotation , 150° Tilt
- Dry and damp locations
- Dimmable with TRIAC and ELV Dimmers
- Constant current driver included

* Minimum 1.5" electrical box required for driver installation



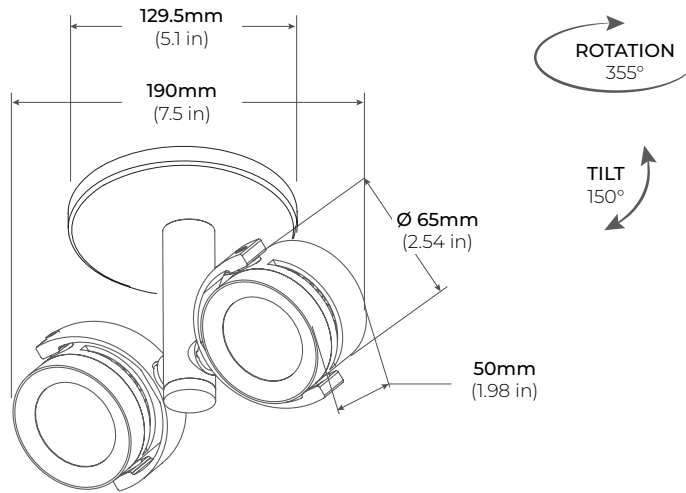
MODEL	WATTAGE	COLOR TEMP	FINISH	OPTICS	ADAPTER	VOLTAGE
CMP-410	LI 12.5W	27K 2700K	SI SILVER	SP 19° Spot	MP Monopoint	UNV 120V-277V
		30K 3000K		FL 30° Flood		
		35K 3500K		WF 45° Wide		
		40K 4000K				

* Universal TRIAC/ 0-10V driver

CMP-410

1200 LUMEN DOUBLE LED MONOPOINT LUMINAIRE

DIMENSIONS



1.5" DEEP ELECTRICAL BOX (REQUIRED FOR INSTALLATION)

