

# PSRX-30W-24V-UNV

## 4-IN-1 DIMMABLE DRIVER W/ JUNCTION BOX

Project \_\_\_\_\_  
Location \_\_\_\_\_  
Quote/ Ref # \_\_\_\_\_

**PSRX SERIES** indoor/outdoor drivers are highly efficient, stable with smooth dimming capability compatible with most TRIAC, ELV, MLV, 0-10V reverse and forward phase dimmers, and on/off switches. These drivers are factory derated which allows them to be loaded to maximum wattage capacity.

### SPECIFICATIONS

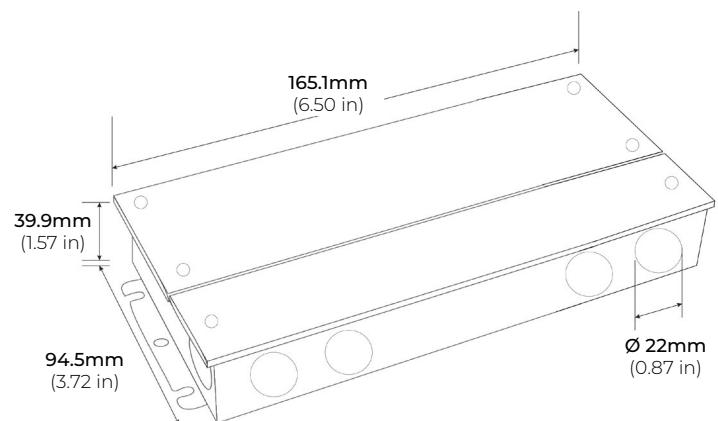
INPUT	
INPUT VOLTAGE RANGE	100-277V AC
INPUT FREQUENCY RANGE	47 - 63 Hz
POWER FACTOR	> 0.92
POWER FACTOR (AVG.)	≥ 0.99 (120VAC); ≥ 0.94 (277VAC)
EFFICIENCY	> 79%
AC CURRENT (MAX.)	0.5A (100V AC)
INRUSH CURRENT	7A, 50%, 1.4ms
LEAKAGE CURRENT	< 0.5mA
OUTPUT	
OUTPUT VOLTAGE	24V DC
OUTPUT CURRENT (MAX.)	1.25A
OUTPUT WATTAGE (MAX.)	30W
MINIMUM LOAD	10%
MAXIMUM LOAD	100%
LOAD REGULATION	1%
LINE REGULATION	5%
PROTECTION	
SHORT CIRCUIT	Shut down o/p voltage, re-power on to recover after fault is removed
OVER LOADING	≤120% shut down o/p voltage, re-power on to recover
ENVIRONMENT	
WORKING TEMPERATURE	-40°F (-40°C) ~ 140°F (60°C)
WORKING HUMIDITY	20-90% RH, non-condensing
STORAGE TEMPERATURE	-40°F (-40°C) ~ 176°F (80°C)
SAFETY	
SAFETY STANDARDS	UL 8750, UL 1310
WITHSTAND VOLTAGE	I/P-O/P: 1.88KV AC
ISOLATION RESISTANCE	I/P-OP: 100MΩ/ 500V DC/ 25°C, 70%RH
EMC EMISSION	FCC Part 15 B
OTHER	
WIRE TERMINAL	Fits up to 12AWG
WARRANTY	5-Year Limited Warranty
DIMENSIONS (L x W x H)	6.50" x 3.72" x 1.57"
MTBF	50,000 Hrs.



### FEATURES

- Class 2
- High power factor/ efficiency
- Short circuit and over current protection
- 100-277V AC for any residential or commercial application
- Superior PWM dimming technology
- Factory derated
- Only 10% minimum load
- Compatible with MLV, ELV, 0-10V and TRIAC dimmers
- Flicker-free dimming
- Outdoor Rated

### DIMENSIONS

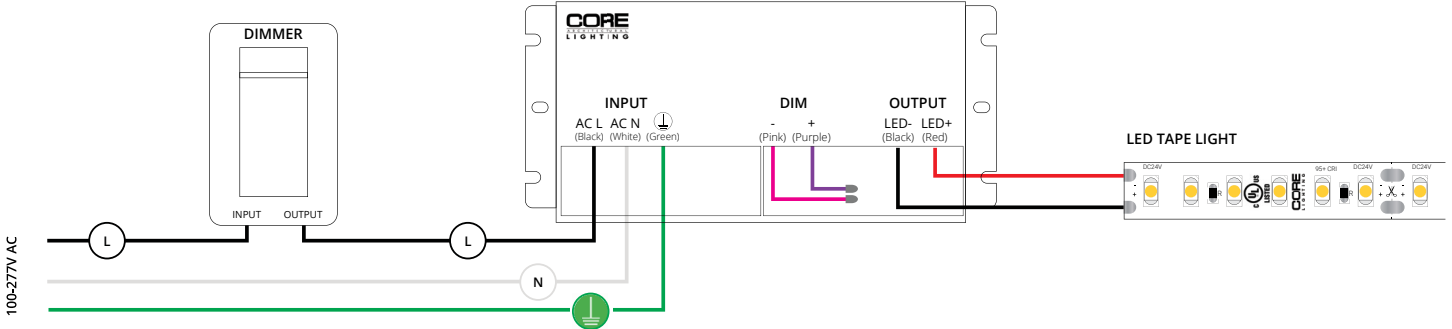


# PSRX-30W-24V-UNV

## 4-IN-1 DIMMABLE DRIVER W/ JUNCTION BOX

### WIRING DIAGRAM

#### TRIAC DIMMING



#### 0-10/ 1-10V DIMMING

