

PSRX-300W-24V-UNV

4-IN-1 DIMMABLE DRIVER W/ JUNCTION BOX

Project _____

Location _____

Quote/ Ref # _____

The **PSRX SERIES** indoor/outdoor drivers are highly efficient, stable with smooth dimming capability compatible with most TRIAC, ELV, MLV, 0-10V reverse and forward phase dimmers, and on/off switches. These drivers are derated allowing them to be loaded to maximum wattage capacity.



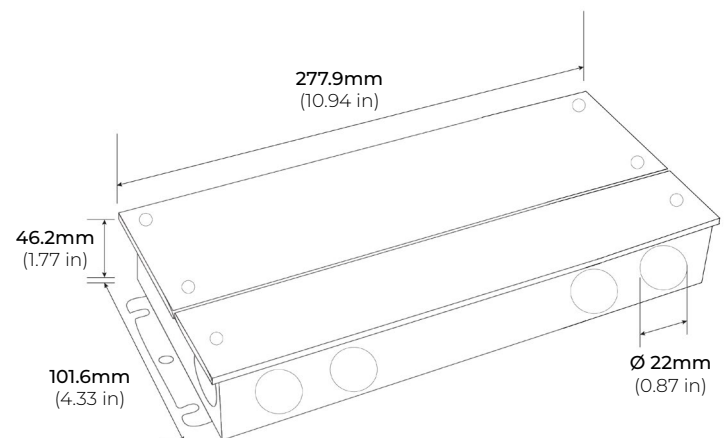
SPECIFICATIONS

| INPUT | |
|------------------------|--|
| INPUT VOLTAGE RANGE | 100-277V AC |
| INPUT FREQUENCY RANGE | 47 - 63 Hz |
| POWER FACTOR | > 0.92 |
| POWER FACTOR (AVG.) | ≥ 0.99 (120VAC); ≥ 0.95 (277VAC) |
| EFFICIENCY | > 86% |
| AC CURRENT (MAX.) | 3.4A (100V AC) |
| INRUSH CURRENT | 20A, 50%, 1.8ms |
| LEAKAGE CURRENT | < 0.5mA |
| OUTPUT | |
| OUTPUT VOLTAGE | 24V DC |
| OUTPUT CURRENT (MAX.) | 12.5A |
| OUTPUT WATTAGE (MAX.) | 300W |
| MINIMUM LOAD | 10% |
| MAXIMUM LOAD | 100% |
| LOAD REGULATION | 2% |
| LINE REGULATION | 5% |
| PROTECTION | |
| SHORT CIRCUIT | Shut down o/p voltage, re-power on to recover after fault is removed |
| OVER LOADING | ≤120% shut down o/p voltage, re-power on to recover |
| ENVIRONMENT | |
| WORKING TEMPERATURE | -40°F (-40°C) ~ 140°F (60°C) |
| WORKING HUMIDITY | 20-90% RH, non-condensing |
| STORAGE TEMPERATURE | -40°F (-40°C) ~ 176°F (80°C) |
| SAFETY | |
| SAFETY STANDARDS | UL 8750, UL 1310 |
| WITHSTAND VOLTAGE | I/P-O/P: 1.88KV AC |
| ISOLATION RESISTANCE | I/P-OP: 100MΩ/ 500V DC/ 25°C, 70%RH |
| EMC EMISSION | FCC Part 15 B |
| OTHER | |
| WIRE TERMINAL | Fits up to 12AWG |
| WARRANTY | 5-Year Limited Warranty |
| DIMENSIONS (L x W x H) | 10.94" x 4.33" x 1.82" |
| MTBF | 50,000 Hrs. |

FEATURES

- High power factor/ efficiency
- 0-100% Dimming Range
- Dry or wet location
- Superior PWM dimming technology
- Factory derated
- Only 10% minimum load
- Compatible with TRIAC, MLV, and ELV dimmers
- Free Air Convection Cooling

DIMENSIONS

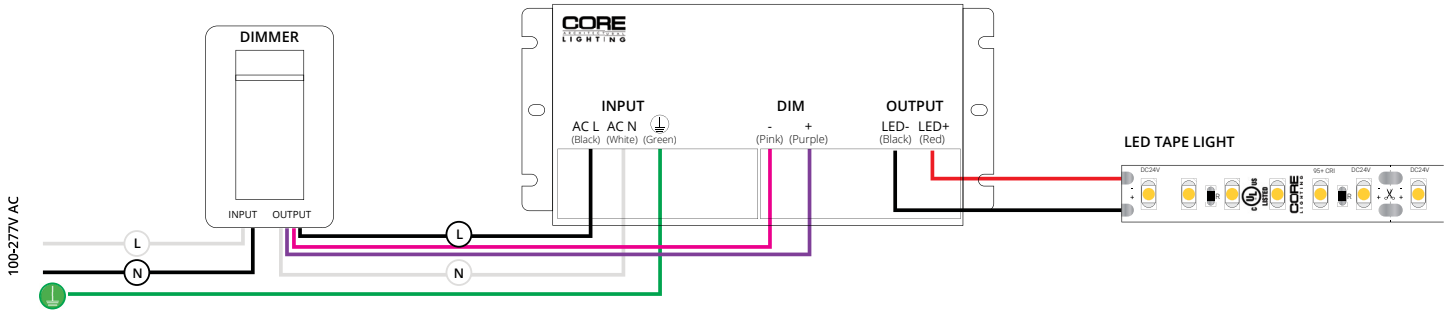


PSRX-300W-24V-UNV

4-IN-1 DIMMABLE DRIVER W/ JUNCTION BOX

WIRING DIAGRAM

TRIAC DIMMING



0-10V/ 1-10V DIMMING

