

PSRX-288W-24V-UNV-CL2

4-IN-1 DIMMABLE DRIVER W/ JUNCTION BOX

Project _____

Location _____

Quote/ Ref # _____

The **PSRX SERIES** indoor/outdoor drivers are highly efficient, stable with smooth dimming capability compatible with most TRIAC, ELV, MLV, 0-10V reverse and forward phase dimmers, and on/off switches. These drivers are derated allowing them to be loaded to maximum wattage capacity.



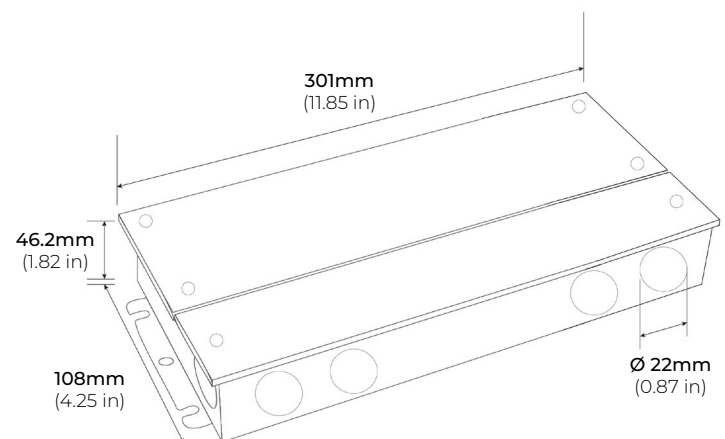
SPECIFICATIONS

INPUT	
INPUT VOLTAGE RANGE	100-277V AC
INPUT FREQUENCY RANGE	47 - 63 Hz
POWER FACTOR (AVG.)	≥ 0.99 (120VAC); ≥ 0.97 (277VAC)
AC CURRENT (MAX.)	1.3A (100V AC)
INRUSH CURRENT	35A (twidth= 960us) @ 120VAC 38A (twidth= 1ms) @ 277VAC
LEAKAGE CURRENT	< 0.5mA
OUTPUT	
OUTPUT VOLTAGE	24V DC
NO. OF CHANNELS	3
OUTPUT CURRENT (MAX.)	4A per Channel (12A Total)
OUTPUT WATTAGE (MAX.)	288W (3 x 96W)
LOAD REGULATION	± 1%
VOLTAGE REGULATION	± 0.5V
PROTECTION	
SHORT CIRCUIT	Shut down o/p voltage, re-power on to recover after fault is removed
OVER LOADING	≤120% shut down o/p voltage, re-power on to recover
ENVIRONMENT	
WORKING TEMPERATURE	-40°F (-40°C) ~ 140°F (60°C)
WORKING HUMIDITY	20-90% RH, non-condensing
STORAGE TEMP./ HUMIDITY	-40°F (-40°C) ~ 176°F (80°C)/ 10-95% RH
SAFETY	
SAFETY STANDARDS	UL 8750, UL 1310
WITHSTAND VOLTAGE	I/P-O/P: 1.88KV AC
ISOLATION RESISTANCE	I/P-OP: 100MΩ/ 500V DC/ 25°C, 70%RH
EMC EMISSION	FCC 47 CFR Part 15, Subpart B
OTHER	
WARRANTY	5-Year Limited Warranty
DIMENSIONS (L x W x H)	11.85" x 4.25" x 1.82"
KNOCKOUTS	6 knockouts - 7/8 inches

FEATURES

- Class 2
- High power factor/ efficiency
- Short circuit and over current protection
- Dry or wet location
- Superior PWM dimming technology
- Factory derated
- Only 10% minimum load
- Compatible with MLV, ELV, 0-10V and TRIAC dimmers
- Flicker-free 100-0% dimming

DIMENSIONS

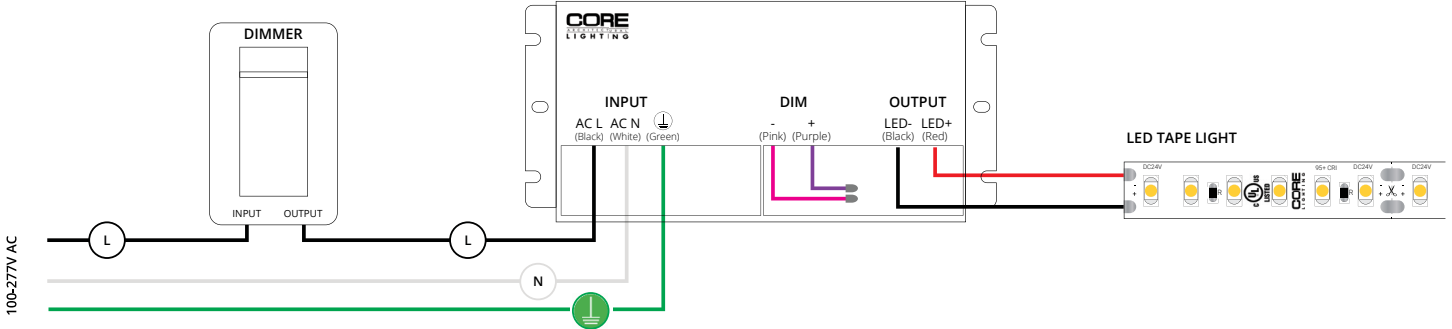


PSRX-288W-24V-UNV-CL2

4-IN-1 DIMMABLE DRIVER W/ JUNCTION BOX

WIRING DIAGRAM

TRIAC DIMMING



0-10V/ 1-10V DIMMING

