

CTL-410

700 LUMEN LED TRACK HEAD

Project _____
Location _____
Quote/ Ref # _____

The classic **CTL-410** is packed with performance and versatility into a sleek and compact design. This 12.5 watt luminaire delivers up to 700 lumens of light. Its integrated class 2 isolated driver built into the housing provides a minimalist appearance. Available in a wide array of beam angles, track adapters and color temperatures.

SPECIFICATIONS

INPUT VOLTAGE	120V-277V AC, 50-60Hz
WATTAGE	12.5W
LUMEN OUTPUT	700 Lm.
OPTICS	Spot 19° / Flood 30° / Wide Flood 45°
ADAPTER	H, J, and L style track systems
COLOR TEMPERATURE	27K/ 30K/ 40K
CRI	80+
FINISH	White, Black and Silver
DIMMING	TRIAC, ELV
LUMEN MAINTENANCE	50,000 Hrs.
ADJUSTABILITY	355° Rotation / 100° Tilt
DRIVER	Integrated Class 2, power factor >.90
CERTIFICATIONS	RoHS, UL Listed



FEATURES

- Adjustable beam angle
- Available in White, Black and Silver
- Die-cast aluminum heat sink for optimal thermal management
- 355° Rotation, 100° Tilt
- Dry and damp locations
- Ideal for retail, commercial and residential installations
- Great for displays and showcases
- Built-in Constant current driver
- RoHS, UL Listed (US and Canada)

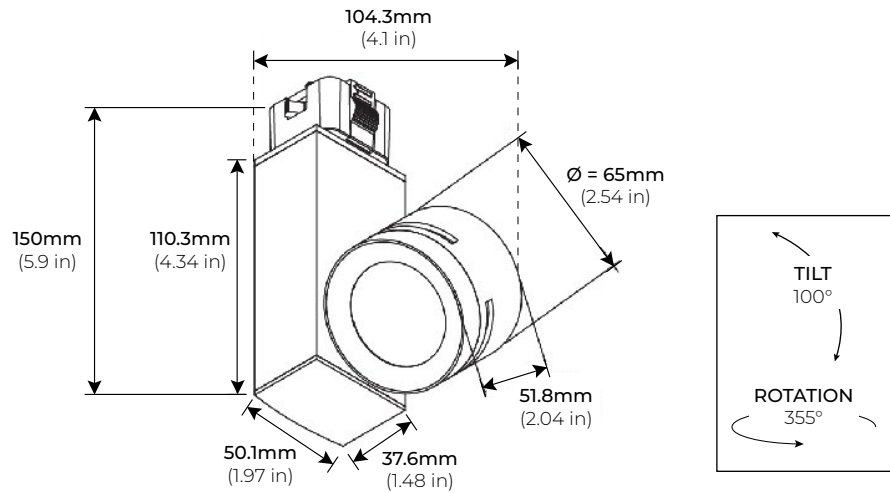


MODEL	WATTAGE	COLOR TEMP	FINISH	OPTICS	ADAPTER	VOLTAGE
CTL410	L1 12.5W	27K 2700K	WH White	SP 19° Spot	HT H (Halo) Type	120 120V
		30K 3000K	BK Black	FL 30° Flood	JT J (Juno) Type	277 277V
		40K 4000K	SI Silver	WF 45° Wide	LT L (Lightolier) Type	

CTL-410

700 LUMEN LED TRACK HEAD

DIMENSIONS



CTL-410

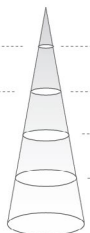
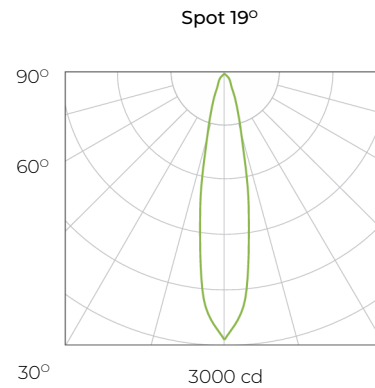
700 LUMEN LED TRACK HEAD

PHOTOMETRICS

12.5W | 80CRI | 3000K

DELIVERED OUTPUT: 592 LM | CBCP: 2982 CD | BEAM ANGLE: 19°

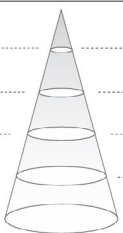
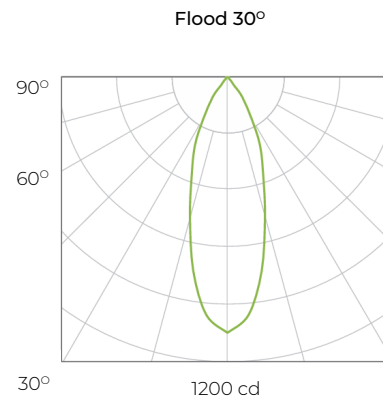
Center Beam Intensity	Beam Width	Height
2982 lx	38cm	1m
745 lx	76cm	2m
331 lx	113cm	3m
186 lx	151cm	4m
119 lx	189cm	5m

12.5W | 80CRI | 3000K

DELIVERED OUTPUT: 575 LM | CBCP: 1126 CD | BEAM ANGLE: 30°

Center Beam Intensity	Beam Width	Height
1126 lx	68cm	1m
281 lx	136cm	2m
125 lx	203cm	3m
70 lx	271cm	4m
45 lx	339cm	5m

12.5W | 80CRI | 3000K

DELIVERED OUTPUT: 590 LM | CBCP: 883 CD | BEAM ANGLE: 45°

Center Beam Intensity	Beam Width	Height
883 lx	84cm	1m
221 lx	169cm	2m
98 lx	253cm	3m
55 lx	338cm	4m
35 lx	422cm	5m

