

RGB-SCW4

WiFi DMX WALL CONTROLLER

Project _____

Location _____

Quote/ Ref # _____

RGB-SCW4 is a feature rich DMX lighting controller designed to provide a control solution for the most demanding projects. It is ideal for architectural lighting installations requiring advanced color scheme programming. It features an easy to use touch sensitive glass panel with a graphical color screen for intuitive user experience and control. Compatible with a PC, MAC, Android and iOS systems and mobile devices.



SPECIFICATIONS

INPUT VOLTAGE	5-10V DC
OUTPUT SIGNAL	DMX512 (x2)
PROGRAMMABILITY	PC/ MAC
COLOR OPTIONS	Black/ White
CONNECTIONS	USB/ 8 Dry Contact Ports/ Open Drain Output (for relay)
MEMORY	Built-in Flash
ZONES	1 Zone, 36 Scenes
WIRELESS PROTOCOL	Bluetooth 5.0 SIG Mesh
OPERATING TEMPERATURE	14°F (-10°C) ~ 113°F (45°C)
MOUNTING	Single or Double Gang Socket
WEIGHT	0.44 lbs (200g)
DIMENSIONS	5.75 x 4.17 x 0.43" (LxWxH)

FEATURES

- 1 Zone, 36 Scenes
- 1024 DMX Channels. Control 340 RGB fixtures
- Color temperature mixing
- Sleek glass design with graphical color display
- 6 Scene Buttons and Color Wheel for accurate color selection
- WiFi for remote network control and scene selection
- 36 scenes can be stored within controller and recalled
- USB and Ethernet connectivity for programming and control
- PC/ MAC compatible
- Network communication. Control lighting remotely.

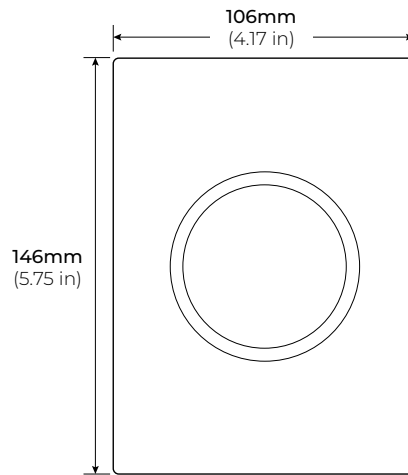


MODEL	COLOR TEMP
RGB-SCW4	WH White
	BK Black

RGB-SCW4

WiFi DMX WALL CONTROLLER

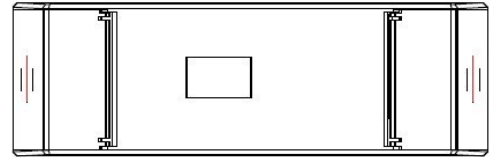
DIMENSIONS



COMPATIBLE DMX DECODERS

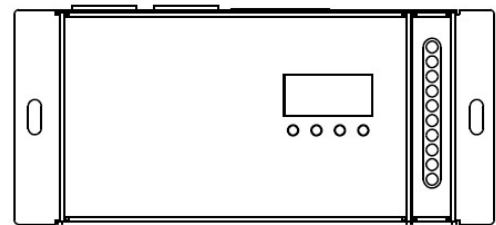
RGB-DMX-4C-RJ45 4-CHANNEL DMX DECODER

INPUT VOLTAGE 12V-24V DC
OUTPUT CURRENT 5A X 4CH
OUTPUT WATTAGE 60W(12V), 120W(24V)
OUTPUT CHANNELS 4
DIMENSIONS LxWxH (7"x1.77"x0.75")



RGB-DMX-5C-XLR 5-CHANNEL DMX DECODER

INPUT VOLTAGE 12V-24V DC
OUTPUT CURRENT 8A X 5CH
OUTPUT WATTAGE 5 x (96W ~ 192W)
OUTPUT CHANNELS 5
DIMENSIONS LxWxH (6.45"x2.87"x1.5")



RGB-DMX-4C-WP 3-CHANNEL RGB DMX DECODER

INPUT VOLTAGE 12V-36V DC
OUTPUT CURRENT 5A X 3CH
OUTPUT WATTAGE 3 x (167W ~ 333W)
OUTPUT CHANNELS 3
DIMENSIONS LxWxH (7"x3"x1.5")

