

# ALP-1100TL

## CORNER TRIMLESS LED PROFILE

Project \_\_\_\_\_

Location \_\_\_\_\_

Quote/ Ref # \_\_\_\_\_

The **ALP-1100TL** is an architectural-grade, trimless LED profile that installs into a 5/8" drywall, providing a seamless and continuous band of light at the base of the drywall partition. Compatible with LED strips up to 10.6mm (0.4 in) wide.



### SPECIFICATIONS

TYPE	Recessed Mount
AVAILABLE LENGTHS	42 in./ 84 in.
FINISH	Matte White
LENS OPTION	Frosted
TRANSFORMER	Remote
CHANNEL	ALP1100TL
LENS (INCLUDED)	ALP1100TL-LN
STRAIGHT CONNECTOR	ALP2000TL-STB
INTERNAL CONNECTOR	ALP2200TL-INB

### FEATURES

- Compatible with LED strips up to 10.6mm (0.4 in.)
- Field Cuttable
- Installs within drywall depth
- Recessed mount to fit flush onto installation surface
- Frosted lens diffuser included
- Dissipates heat from LED, prolonging its lifetime

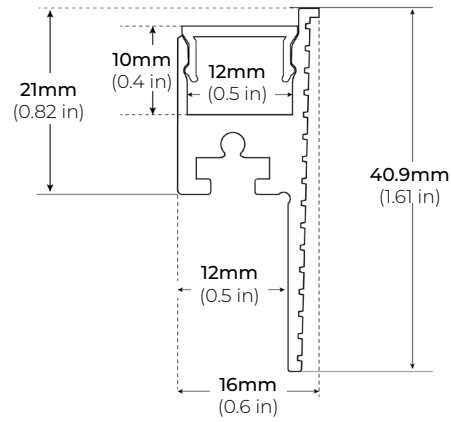


MODEL	LENGTH	LENS
ALP-1100TL	<b>42</b> 42 in.	<b>FR</b> Frosted
	<b>84</b> 84 in.	

# ALP-1100TL

## CORNER TRIMLESS LED PROFILE

### DIMENSIONS



### COMPATIBLE ACCESSORIES

ALP2000TL-STB  
STRAIGHT CONNECTOR  
\* SOLD SEPARATELY

